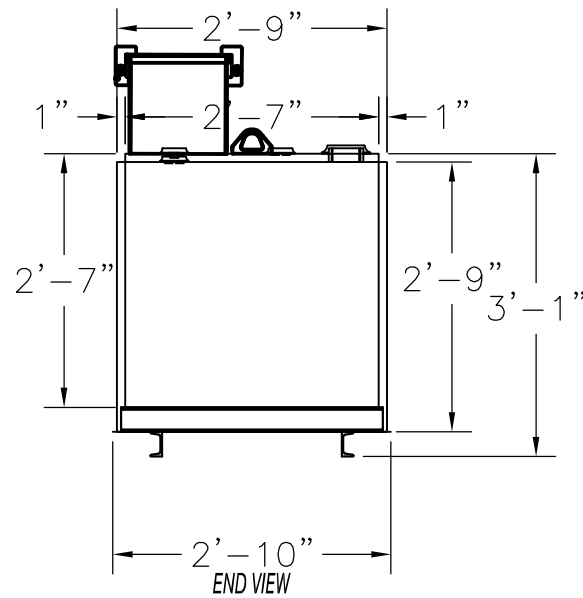
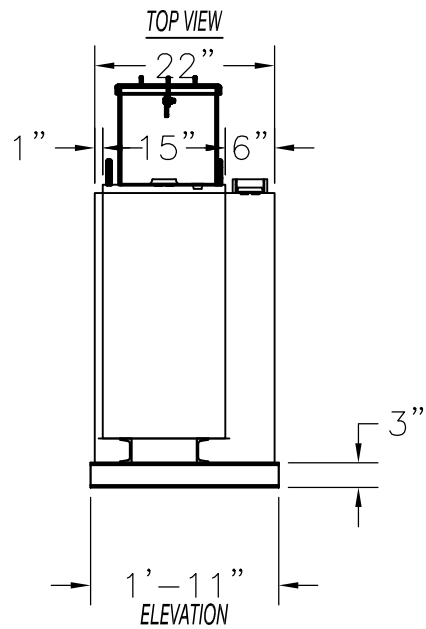
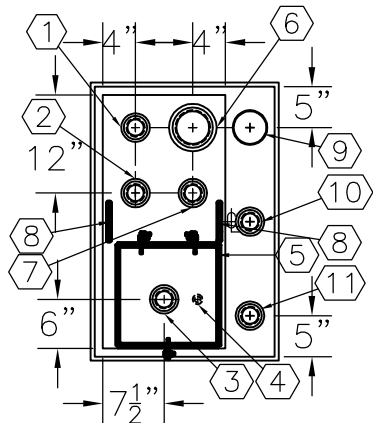


**NOTE:**  
 OVERALL SHIPPING DIMENSION: 1'-11" L X 2'-10" W X 4'-2" H



ITEM	SIZE	SUGGESTED FUNCTION
1	2"	PRIMARY TANK WORKING VENT
2	2"	MECHANICAL GAUGE/SPARE
3	2"	FILL
4	1/2"	DRAIN FOR SPILLBOX
5	7 GAL.	SPILLBOX, DWG."SBB002"
6	4"	PRIMARY TANK EMERGENCY VENT
7	2"	SPARE
8	SMALL	LIFTING LUG
9	4"	SECONDARY CONTAINMENT EMERGENCY VENT
10	2"	SECONDARY MONITOR PORT
11	2"	SECONDARY WORKING VENT

**TANK SPECIFICATIONS**

VENTING CAPACITY: PRIMARY TANK - 31,600 CUBIC FEET PER HOUR  
 SECONDARY TANK - 31,600 CUBIC FEET PER HOUR  
 MATERIAL: PRIMARY TANK - 10 GA.  
 SECONDARY TANK - 10 GA.

PRODUCT CODE	GALLONS	DESCRIPTION	OVERALL SIZE	SHIP WT.
LCAA1060DS001	60	UL-142 DOUBLE WALL LUBE CUBE TANK W/SPILLBOX	1'-11" L X 2'-10" W X 3'-1" H	385 LBS.

THIS DRAWING AND DESIGN SHOWN HEREIN IS THE PROPERTY OF CONTAINMENT SOLUTIONS. USE OR COPIES THEREOF CANNOT BE MADE WITHOUT WRITTEN CONSENT.

CUSTOMER NAME: \_\_\_\_\_

**APPROVED** BY: \_\_\_\_\_ DATE: \_\_\_\_\_

**CONTAINMENT SOLUTIONS**

DRAWN BY: D. ROVANG      DATE DRAWN: 01-01-14  
 DWG NUMBER: 5100113      SCALE: 1:24  
 REV:      REV BY:      DATE:      SHEET: 1 OF 1