

SMARTWEIGHT® HYBRID

Wheel Balancer

HUNTER
Engineering Company

SPECIFICATIONS []

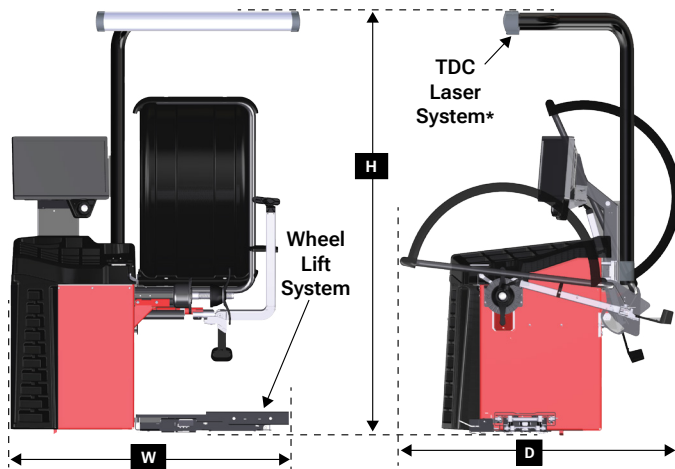


SWHN00 Shown

Power Requirements	208-240V, 3 amp, 50/60 Hz, 1 ph NEMA L6-20 plug included
Air Supply Requirements	100-175 psi (7 - 12 bar)
Internet Recommendations	Hardwire or Wireless add on, 10+ mbps up and down
Rim Width Range	1.5 in to 20.5 in (38 mm to 521 mm)
Rim Diameter Range	10 in to 30 in (254 mm to 762 mm) *
ALU	14 in to 40 in (356 mm to 1016 mm) *
Max. Tire Diameter	40 in (1016 mm)
Max. Tire Width	20 in (508 mm)
Max. Tire Weight	175 lbs (79 kg)
Imbalance Resolution	± 0.01 oz (0.28 g)
Placement Accuracy	512 positions, ± 0.35°
Balancing Speed	300 rpm
Motor	Programmable drive system and DC motor
Shipping Weight	311 lbs.

* Extreme wheel sizes may require manual data entry.

SWHN-	00	02	10	12	20	22	30	32
Wheel Lift			✓	✓			✓	✓
TDC Laser		✓		✓		✓		✓
SpeedClamp®					✓	✓	✓	✓
Width (W)	53 in 1066 mm	57 in 1488 mm	64.5 in 1626 mm	64.5 in 1626 mm	53 in 1066 mm	64.5 in 1626 mm	57 in 1448 mm	64.5 in 1626 mm
Height (H)	71.5 in 1816 mm	85 in 2159 mm	71.5 in 1816 mm	85 in 2159 mm	71.5 in 1816 mm	71.5 in 1816 mm	85 in 2159 mm	85 in 2159 mm
Depth (D)	63.5 in 1613 mm	63.5 in 1613 mm	63.5 in 1613 mm	63.5 in 1613 mm	63.5 in 1613 mm	63.5 in 1613 mm	63.5 in 1613 mm	63.5 in 1613 mm
Weight	371 lb 169 kg	421 lb 191 kg	472 lb 214 kg	522 lb 237 kg	371 lb 169 kg	472 lb 214 kg	421 lb 191 kg	522 lb 237 kg



*When equipped with the TDC system, the balancer is a Class 2 laser product.



LASER RADIATION
DO NOT STARE INTO THE BEAM OR VIEW DIRECTLY WITH OPTICAL INSTRUMENTS.

Viewing the laser output with magnifiers or related optical instruments within a distance of 100 mm from the laser aperture may pose an eye hazard.

For balancer information visit:
hunter.com/wheel-balancers

For local contact visit:
hunter.com/contact

For general inquiries visit:
www.hunter.com or call 800-448-6848

Because of continuing technological advancements, specifications, models and options are subject to change without notice.

Form 7714-T, 05-24
Supersedes Form 7714-T, 09-23
Copyright ©2024, Hunter Engineering Company