

TCX Swing Arm Tire Changers

Hunter's family of tabletop tire changers

**THREE POWERFUL
CONFIGURATIONS**



TCX Family of Swing Arm Tabletop Tire Changers

Model Overview

TCX53 features three versatile bead press tools to assist with large and challenging tires



TCX53H shown

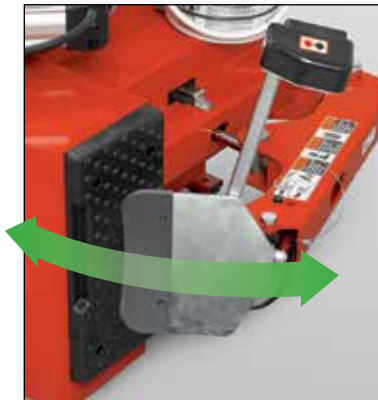
TCX51 features a powerful bead press arm for most OEM tires



TCX51H shown

PowerOut™ bead loosener

- ✓ Most powerful bead breaker in its class
- ✓ Fingertip control eases service
- ✓ Three-way adjustable for best rim fit
- ✓ Shovel protectors standard



Mount and demount head

- ✓ Maximum wheel protection
- ✓ Accommodates newer raised spoke and clad wheels
- ✓ Patented “wing and knob” features keep tire in place better than other heads
- ✓ Rigid polymer construction



TCX51H Plus features a powerful bead press arm and FastBlast™ inflation system for large truck and SUV tires



TCX51HPlus shown

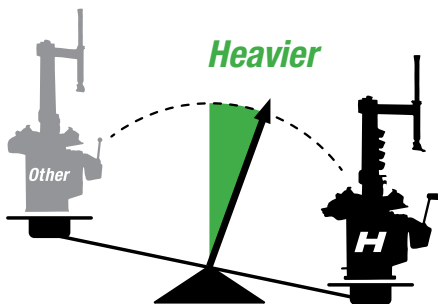
TCX50 conventional tire changer offers power and simplicity for most standard tires



TCX50H shown

Best in class

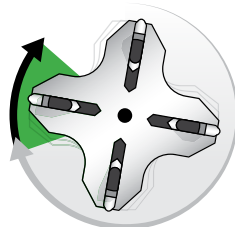
- ✓ Heavyweight for less movement when changing tires
- ✓ Non-slip pads keep machine in place



Class-Leading Power

- ✓ Up to 50% higher torque
- ✓ Faster tabletop speed

More torque and speed



Largest and easiest-to-use tabletop

- ✓ Provides 10 to 26 in. clamping range
- ✓ All jaws adjust simultaneously for mistake-free clamping
- ✓ Hi-grip jaw covers transmit mounting torque and protect wheels
- ✓ Diameter marks aid external clamping
- ✓ Polished tabletop for easy cleanup

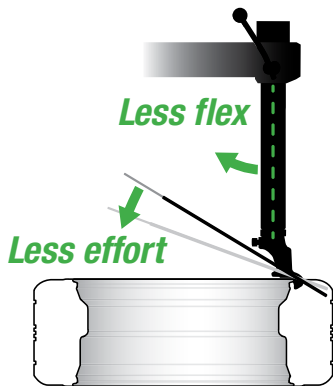
Three Powerful Configurations

Hunter TCX 50, 51, and 53 tire changers are heavier, more rigid, faster and more powerful than other tire changers in the same class.



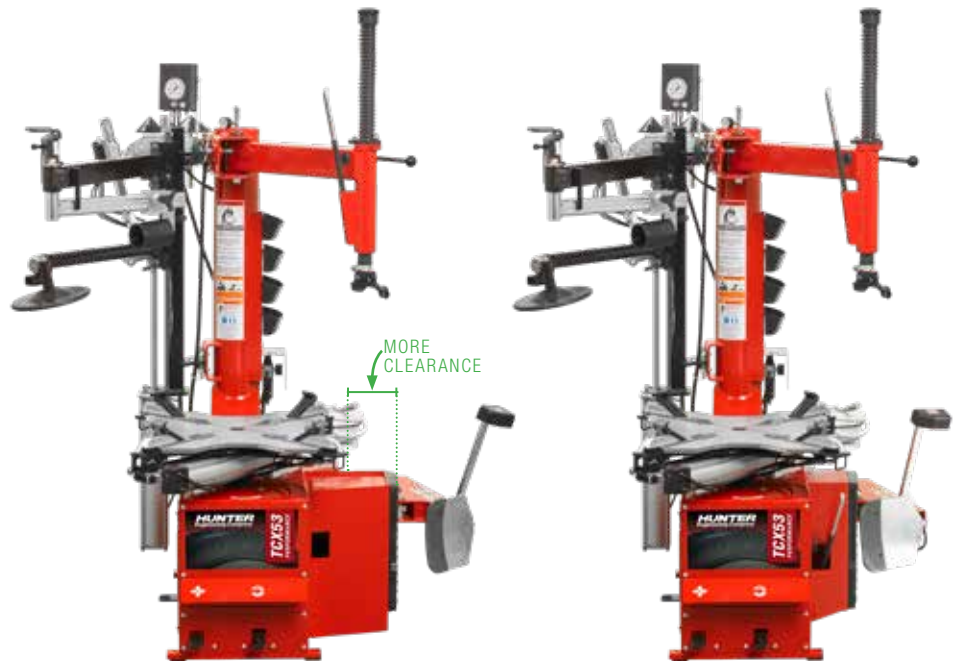
TCX53H shown

	TCX5xH	TCX5xE	TCX5xA
Motor	Electric 220V dedicated	Electric 220V or 110V	Air
Mass	25% heavier	20% heavier	20% heavier
Rigidity	10% less flex and effort	10% less flex and effort	10% less flex and effort
Power	50% more torque	20% more torque	5% more torque
Speed	Two-speed 7 and 17 rpm	Single-speed 10 rpm	Variable-speed 10 rpm max



Rigid Design

- ✓ Long service life
- ✓ Rigid chassis reduces damage risk and operator effort



← **WIDER BASE** →

H models

STANDARD BASE

E and A models

TCX Tabletop Tire Changer Decision Guide

- Readily Serviceable
- Serviceable with High Effort/Skill/Risk
- Not Serviceable



		TCX59Pro ¹	TCX59 ²	TCX58 ²	TCX53	TCX51	TCX51HPlus	TCX50
POWER REQUIREMENTS		220	220	220	220 / 110 / AIR	220 / 110 / AIR	220	220 / 110 / AIR
Connectivity		Requires Accessory	Requires Accessory	Requires Accessory	Requires Accessory*	Requires Accessory*	Requires Accessory	Requires Accessory*
OEM STANDARD	Standard							
	Truck/SUV	Plus FastBlast™	Plus FastBlast™	Plus FastBlast™			Plus FastBlast™	
	Low-Profile							
OEM RUN-FLATS	Car							
	Van/SUV							
	High-Performance							
AFTERMARKET	Aftermarket Single Piece							
	Aftermarket Mudder	Plus FastBlast™	Plus FastBlast™	Plus FastBlast™			Plus FastBlast™	
	Aftermarket 2 & 3 Piece							
MOTORCYCLE/ATV	Golf Cart	Requires Accessories	Requires Accessories	Requires Accessories	Requires Accessories	Requires Accessories	Requires Accessories	Requires Accessories
	ATV	Requires Accessories	Requires Accessories	Requires Accessories	Requires Accessories	Requires Accessories	Requires Accessories	Requires Accessories
	Motorcycle	Requires Accessories	Requires Accessories	Requires Accessories	Requires Accessories	Requires Accessories	Requires Accessories	Requires Accessories
THICK-BEAD	Skid Steer							
	19.5 in.							
	22.5/ Widebase							
	Loader							
	Foam-Filled							

¹ See form CB008051-00 to review the TCX59Pro

² See form CB07822-00 to review the TCX58 and TCX59 models

* H model only

PATENTED

TCX53 Bead Press System Delivers Control

The bead press system speeds and eases clamping, lubricating, demounting and mounting tough wheel and tire combinations.

- ✓ The patented design centers on the wheel to simplify operation.
- ✓ Standard on TCX53 models
- ✓ Upgrade option for TCX50 models

Bead Press System – 20-2834-1

Aids mounting and demounting with tremendous power and control. (Standard on TCX53; upgrade option for TCX50)



Clamping assistance when needed — press cones ease external wheel clamping.

Demounting: Integrated Tools Reduce Effort



- ✓ Roller creates gap for lever placement and/or bead lubrication



- ✓ Lower disk for bead loosening
- ✓ Assists lifting heavy tires

Mounting: Difficult Processes Made Easy



- ✓ Single roller arm rotates with tire
- ✓ Mounts many tough tires



- ✓ Fixed roller arm can be added to mount even the toughest tires

TCX51 Bead Press Arm

- ✓ Eases demounting and mounting difficult combinations
- ✓ Large diameter cylinder is most powerful in its class
- ✓ Upgrade option for TCX50 models

Bead Press Arm – 20-3660-1

Aids mounting, demounting and clamping. Hook lifts heavy tires. Standard on TCX51; upgrade option for TCX50.



Press arm pushes tire into drop center for mounting and demounting operations

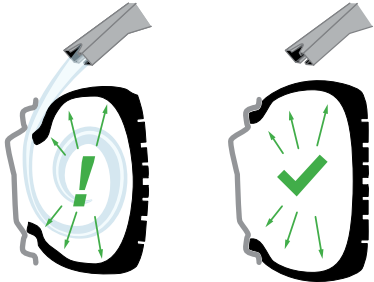


Lifting hook aids the demounting of heavy tires.



TCX51H Plus FastBlast™ Inflation System

Designed with truck and SUV service in mind, the new top-side blast inflation system is optimized to seat even the most difficult tires.



- ✓ Large 6.5 gallon air tank features a higher capacity than most portable inflation devices
- ✓ Traditional jaw blast inflation is still standard and effective for most tires



Effortless inflation



Large tank provides ample volume to seat the toughest tires. Simply set the position, select inflation mode then press the inflation pedal.

Safe and easy



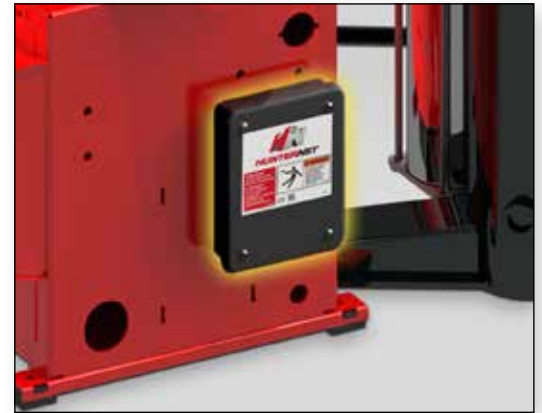
Nozzle is securely mounted to Bead Press carriage, allowing completely hands free operation.

NEW!

HunterNet® Connectivity for H-Model Tabletop Tire Changers



- ✓ Record individual tire changes with inflation pressure
- ✓ Track tire changing trends
- ✓ See equipment return on investment
- ✓ Combine with other connect-able Hunter equipment for a complete shop view!



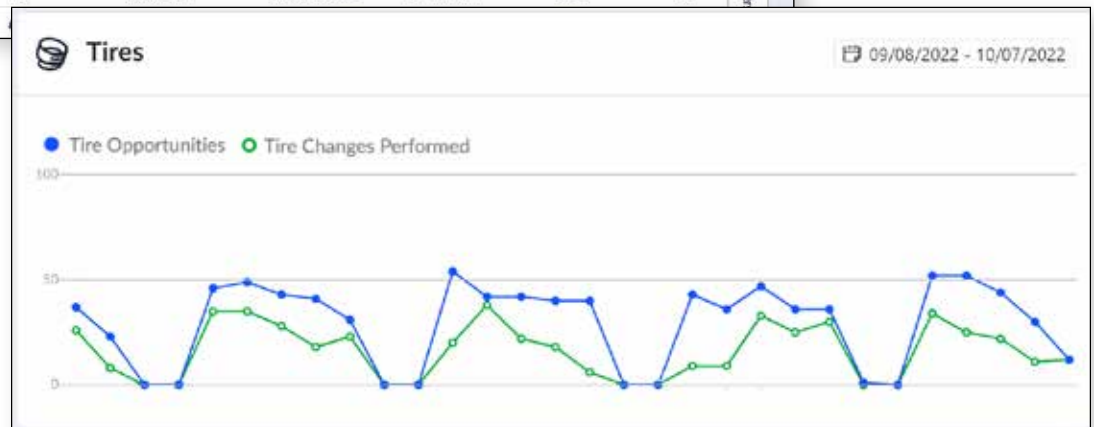
Installs to the back side of machine

Tire Changer Connectivity Kit — 20-3871-1

Power Requirements	Supplied by TCXH via provided cable splitter
Internet Requirements	10 Mbps wired or wireless internet connection
Wireless Requirements	Dual-band 2.4/5GHz 802.11 a/b/g/n Wi-Fi
Wired Requirements	Standard RJ45 ethernet connector
Compatible Models	TCX56, TCX57, TCX58, TCX59, TCX59Pro, and TCX5xH models



Count ↑	Equipment Name	Date	Time	Service Time	PSI
#12	TCX59	11/15/2022	4:22 PM	2:58	36
#11	TCX58	11/15/2022	4:06 PM	2:47	36
#10	TCX53H	11/15/2022	3:50 PM	2:29	36
#9	TCX51H	11/15/2022	3:41 PM	2:30	36



Exceptional clamping

Easy-to-use, adjustable tabletop

- ✓ Built-in adjustment system provides 10- to 26-in. clamping range
- ✓ All jaws adjust simultaneously for mistake-free clamping
- ✓ Polished tabletop for easy cleanup
- ✓ Hi-grip jaw covers add mounting torque and protect wheels
- ✓ Diameter marks aid external clamping



Motorcycle Compatible



Motorcycle Wheel Adaptor – RP11-2201113

- ✓ Raise clamping jaws to clear belt drive pulley and brakes used on motorcycles, including Harley Davidson.
- ✓ Plastic-covered to prevent wheel damage.



Popular Accessories & Optional Equipment



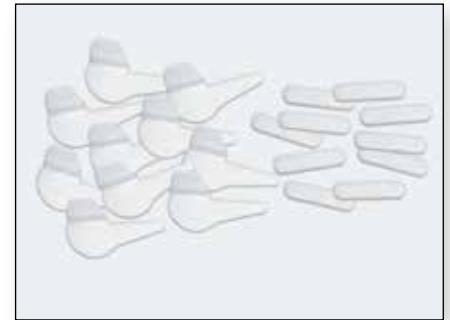
Wheel lift – 20-2045-1

Eases servicing of large assemblies. Allows for more careful handling of expensive wheels



“Wing” steel mount head – RP11-5-107785

Includes steel head and all mounting hardware. Ideal for trailer and multi-ply tires.



Plastic protectors for steel mount heads (10 ea.) RP11-8-11100369

For use with TCX-series steel mounting head (RP11-5-107785)



Blast inflator – RP11-8-11100403

Direct bursts of compressed air to seat difficult beads



BP press cone – RP11-4-403749

Clamping press cone. Suitable for TCX51 models only.



Storage shelf – 20-3677-1

Large steel shelf system expands storage capacity. Left or right mount, only for TCX50 and TCX51.



Small-wheel steel mount head – RP11-8-11100378

Allows easy service of wheels down to 6" diameter. Suitable for golf cart and scooter wheels. Use in conjunction with extenders and reducers.

Replacement plastic protectors RP11-8-11100370 (quantity 10) sold separately.



Jaw extender & reducer (4 ea.) – RP11-8-11100402

Extends range by 4 inches. Reduces range by 5 inches.

Service of small wheels (6"-8") requires the use of the RP11-8-11100378 small wheel mount head (left).

Specifications*

Electrical requirements

H model	220V, 1 ph, 6A, NEMA L6-20P
E model	110V, 1 ph, 14A, NEMA 5-15 or 220V, 1 ph, 7A, NEMA L6-20P
A model	—

Air pressure operating range

110 – 145 psi

Air volume of inflation tank

4.75 gallons;
6.5 gallons for FastBlast™

Wheel clamping (nominal)

External (min-max)	10 – 26 in.
Internal (min-max)	12 – 28 in.

Table rotation speed (rpm)

H models	7 and 17 CW / 7 CCW
E models	10 CW / 10 CCW
A models	variable to 10 CW / 10 CCW

Maximum tire diameter

46 in.

Maximum wheel width

14 in.

Bead loosener width

16 in.

Noise level

74 dB

Machine weights

	TCX53	TCX51	TCX50
H models	845 lbs.	801 lbs.	697 lbs.
H Plus model	—	900 lbs.	—
E and A models	781 lbs.	737 lbs.	633 lbs.

* Some dimensions, capacities and specifications may vary depending on tire and wheel configurations.

Standard Equipment

	220V electric 2-speed wide-chassis				110/220V electric 1-speed compact-chassis			Air 1-speed compact-chassis		
	TCX53H	TCX51H	TCX51H Plus	TCX50H	TCX53E	TCX51E	TCX50E	TCX53A	TCX51A	TCX50A
Multi-arm Bead Press System and cones	✓	—	—	+	✓	—	+	✓	—	+
Bead Press Arm	—	✓	✓	+	—	✓	+	—	✓	+
FastBlast™ Inflation System	—	—	✓	+	—	—	—	—	—	—
HunterNet® Connectivity	+	+	+	+	—	—	—	—	—	—
- Polymer mount head - Standard bead lever - Polymer hi-grip jaw protectors - Tabletop blast inflation - Bead lever and shovel protectors - Storage Pockets			✓			✓			✓	

+ Optional upgrade



See form **CB04042-00** for more tire changer accessories.

Because of continuing technological advancements, specifications, models and options are subject to change without notice.

0223BH

Copyright © 2023, Hunter Engineering Company

HUNTER
Engineering Company

www.hunter.com

Form CB08045-00, 02/23
Supersedes Form CB08045-00, 10/22