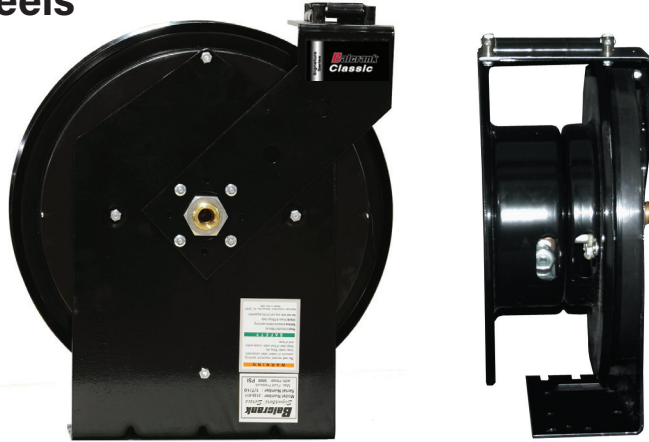


**Hose Reels
Classic**



**Air & Water
Anti-freeze
Windshield wash
Oil
Grease
Diesel**

The Classic Hose Reel has been the standard of reliability for over a decade. This solid, all steel hose reel is preferred for general duty, automotive dealerships, and service garages. Proven performance and reliable operation.

All Classic series reels include hose, hose stop and a 2.5' connecting hose.

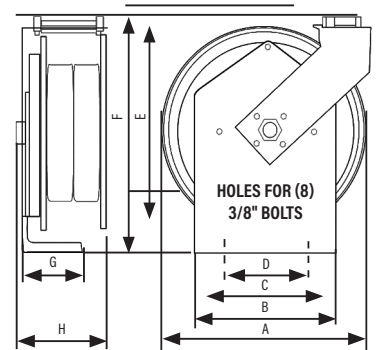
2

STANDARD color	Special color 2-week lead-time						Custom color 6-week lead time
Semi-gloss Black	Wt	Gr	Bl	Rd	Silver	Yl	based on specifications supplied by the customer
-	-002	-003	-004	-005	-006	-007	

MODELS AVAILABLE	DESCRIPTION	REPLACEMENT HOSE
Air & Water Low Pressure 300 psi (21 bar) for delivery of air, water, anti-freeze and windshield wash***		
2120-016	Bare reel - up to 30' Hose	-
2120-017	Bare reel - up to 50' Hose	-
2120-014	30' x 3/8" ID hose	8136-030
2120-005	40' x 3/8" ID hose	8136-040
2120-015	50' x 3/8" ID hose	8136-050
2120-021*	30' x 3/8" ID hose. No arm	8141-030
2120-020	50' x 1/2" ID hose	8141-050
2120-025	30' x 3/8" ID hose-Nitrogen	8135-030
2120-026	50' x 3/8" ID hose-Nitrogen	8135-050
Oil medium pressure 2,750 psi (190 bar) for delivery of lubricants		
2120-016	Bare reel - up to 30' Hose	-
2120-017	Bare reel - up to 50' Hose	-
2120-011	30' x 1/2" ID hose	8241-030
2120-012	40' x 1/2" ID hose	8241-040
2120-013	50' x 1/2" ID hose	8241-050
2120-022*	16' x 1/2" ID hose. No arm	8241-016
Grease High pressure 5,000 psi (345 bar) for delivery of grease.		
2120-018	Bare reel - up to 30' Hose	-
2120-019	Bare reel - up to 50' Hose	-
2120-003	30' x 3/8" ID hose	-
2120-004	40' x 3/8" ID hose	8331-040
2120-007	50' x 3/8" ID hose	8331-050
2120-001	30' x 1/4" ID hose	8321-030
2120-002	40' x 1/4" ID hose	8321-040
2120-006	50' x 1/4" ID hose	8321-050

* Classic reel less outlet arm for workbench mounting

TECHNICAL DATA	
Low & Medium Pressure Reels	
Fluid inlet port	1/2" NPT(F) swivel
Fluid outlet port	1/2" NPT(F) swivel
Hose outlet thread	1/4" NPT(M) for 3/8" ID Hoses
	1/2" NPT(M) for 1/2" ID Hoses
Wetted materials	Plated steel, Brass, bronze and Buna-N
High Pressure Reels	
Fluid inlet port	3/8" NPT(F) swivel
Fluid outlet port	3/8" NPT(F) swivel
Hose outlet thread	1/4" NPT(M) for 1/4" ID Hoses
	1/4" NPT(M) for 3/8" ID Hoses
Wetted materials	Plated steel, hardened steel and Buna-N
Service Bulletin	SB 2002 SB 2002-A (No arm reels)



DIMENSIONS INCHES							
A	B	C	D	E	F	G	H
16"	11"	9.5"	4"	16"	20"	5"	6-8"

