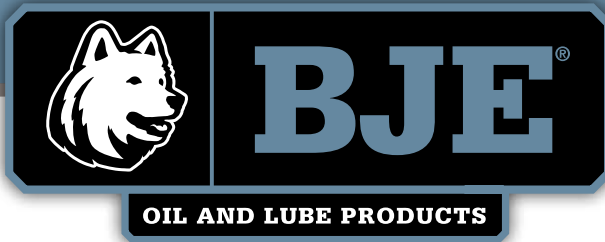


# BJE Catalog



# Table of Contents

## 1-0 OIL FILTER CRUSHERS

C-4 .....	1-1
C-6 .....	1-2
TT-12 .....	1-3
TT-25 .....	1-4
Crusher Stands .....	1-5

## 2-0 Gauges

Black Knight .....	2-1
Metric Black Knight .....	2-2
Red Fox .....	2-3
Metric Red Fox .....	2-4
Jarhead .....	2-5
Adjustable Jarhead .....	2-6
Overfill .....	2-7
Leak Guard .....	2-8
Seasee Drum Gauge .....	2-9
DEF Black Knight .....	2-10
Clearly Gauge LLG .....	2-11

## 3-0 Tank Gauges and Alarms

### Gauges and Alarms

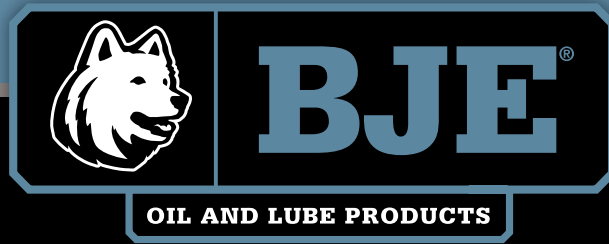
007 .....	3-1
Sentry Tank Alarm .....	3-2
Sentry Wall Mount .....	3-3

## DEF Tank Gauges

with Jarhead .....	3-4
with Overfill .....	3-5
007 with Jarhead .....	3-6
007 with Overfill .....	3-7
Sentry with Jarhead .....	3-8
Sentry with Overfill .....	3-9
55 Drum Alert .....	3-10
55 Drum Alarm .....	3-11
FNTM 55 Drum Alert .....	3-12
Kalkey Commander Tank Controller .....	3-13
Kalkey Commander Wall Mount .....	3-14
MK6 Tank Gauge .....	3-15

## 4-0 Gauge Accessories

AD110 .....	4-1
Remote Solenoid Valve System .....	4-2
Solenoid Valves .....	4-3
Siren/Sensor/Strobes .....	4-4
TM3 .....	4-5



# Oil Filter Crushers

# C-4 Crusher



## C-4 Pneumatic Oil Filter Crusher for automobile filters.

- Reduces filters by 75% of original size, and removes 95% of the free-flowing oil so it can be recycled.
- Crushing chamber accepts filters 7 1/2" tall x 5" diameter.
- Only one moving part, a 1 1/2" shaft.
- Safety door - crusher will not operate if door is opened.
- Cycle time: 5 seconds.
- Air requirement: 125 to 175 PSI.
- Air regulator not needed.
- Oiler and lubricator not needed.
- All parts in contact with air are rust proof.
- Optional stand (sold separately).
- Overall size: 26" high, 11" wide, 11" deep.
- Lifetime warranty on housing, one year limited on all other parts.
- 12" Flexible drain hose included.
- Wall mounting brackets included.
- Crusher weight 108 lbs. (Shipping weight 160 lbs. Shipped UPS.)

### New Crushers

MODEL NO.	DESCRIPTION	SHIPPING WEIGHT LBS (KG)
007605	C-4 Pneumatic Automobile Oil Filter Crusher	108 (48.9)
007590	Small Crusher Stand for C-4 and C-6 Oil Filter Crushers	101 (45.8)
008203	C-4 Pneumatic Automobile Oil Filter Crusher (007605) with Crusher Stand (007590)	219 (99.3)



Model 007590



Model 007605



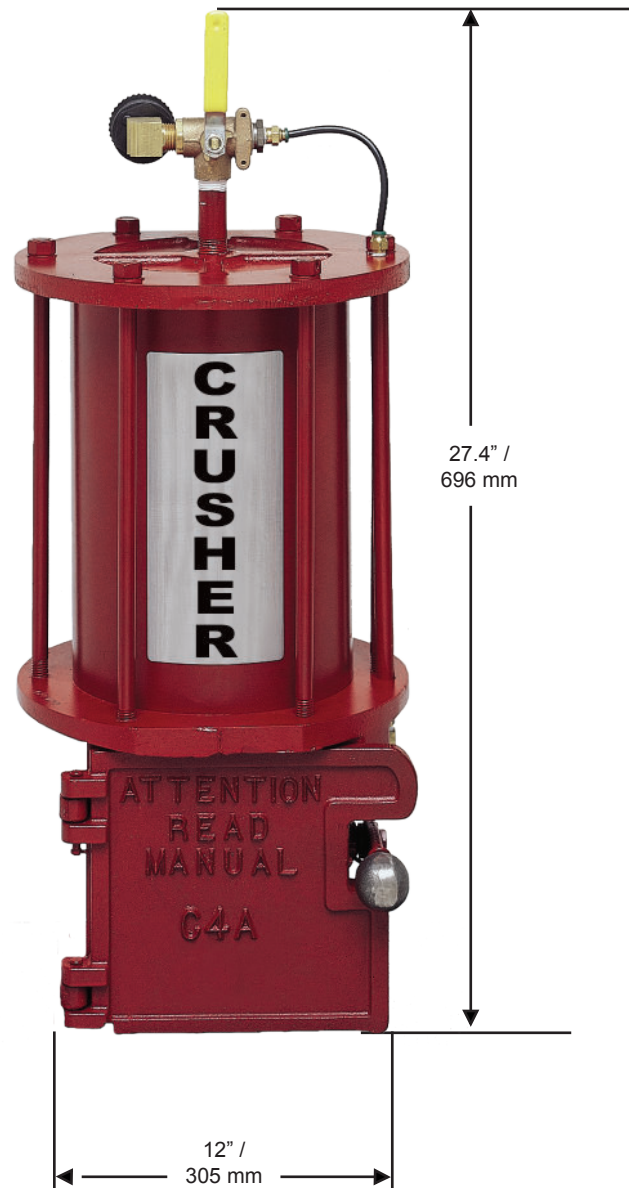
WARNING: Cancer and Reproductive Harm - www.P65Warnings.ca.gov

**C-4 Pneumatic Oil Filter Crusher for automobile filters.**

## Dimensions and System Options

### Repair Parts

MODEL NO.	DESCRIPTION
007589	C4, C6 90 degree Elbow
007599	C4, C6 TT12 Ball Valve
007602	C4 8" Black Cylinder
007611	C4 Cup Plate
007614	C4 Push Plate
007612	C4 Door
007617	C4 Return Spring
007618	C4 Shaft
007619	C4 Top Bearing
007642	C4, C6 TT12 MJV-3 Air Clippard Valve
007708	C4, C6 3/8" Push-on Connector
007719	C4, C6, TT12 Muffler
007749	C4, C6, TT12 S1205 Safety Valve
007847	C4, C6 Handle
007853	C4 Air Tube / Galvanized Pipe
007859	C4 Neoprene Cup
007860	C4 8" Large O-Ring
007901	C4, C6 Reducer Bushing
007902	C4, C6, TT12 1-1/4" 12 Jam Nut
007903	C4, C6, TT12 1-1/8" Washer
007904	C4, C6, TT12, TT25 3/8" Ball Bearing Switch
007905	C4, C6, TT12, TT25 Safety Switch Spring
007906	C4, C6, TT12, TT25 1/4" x 2-1/4" Clevis Pin
007907	C4, C6, TT12, TT25 3/8" ID x 1/2" OD Bearing
007908	C4, C6, TT12, TT25 1/4" x 1-1/2" Clevis Pin
007909	C4, C6, TT12, TT25 3/32" x 1/2" Cotter Pin
007914	C4 Drain Hose Adaptor
007917	C4, C6, TT12. TT25 3/8" x 2-1/4" Grade 8 Tap Bolt
007918	C4, C6. TT12, TT25 3/8" x 16 Stover Nut
007938	C4, C6, TT12, TT25 5/16" Flat Washer
007940	C4, C6, TT12 1/4" Air Hose Assembly



# C-6 Crusher



## C-6 Pneumatic Oil Filter Crusher for light truck diesel and SUV filters.

- Reduces filters by 75% of original size, and removes 95% of the free-flowing oil so it can be recycled.
- Large crushing chamber: accepts filters up to 10" tall x 7" diameter.
- Only one moving part, a 2" shaft.
- Safety door - crusher will not operate if door is opened.
- Cycle time: 27 seconds.
- Air requirement: 125 to 175 PSI.
- Air regulator not needed.
- Oiler and lubricator not needed.
- All parts in contact with air are rust proof.
- Optional stand (sold separately).
- Overall size on stand: 75" high, 36" wide, 26" deep.
- Lifetime warranty on housing, one year limited on all other parts.
- 12" Flexible drain hose included.
- Overall weight on stand 170 lbs. (Shipping weight 182 lbs. Trucked on pallet.)

### New Crushers

MODEL NO.	DESCRIPTION	SHIPPING WEIGHT LBS (KG)
008207	C-6 Pneumatic SUV Oil Filter Crusher	221 (100.2)
007590	Smaller Crusher Stand for C-4 and C-6 Oil Filter Crushers	101 (45.9)
007610	C-6 Pneumatic SUV Oil Filter Crusher (008207) with Crusher Stand (007590)	281 (127.5)



Model 007590



Model 008207



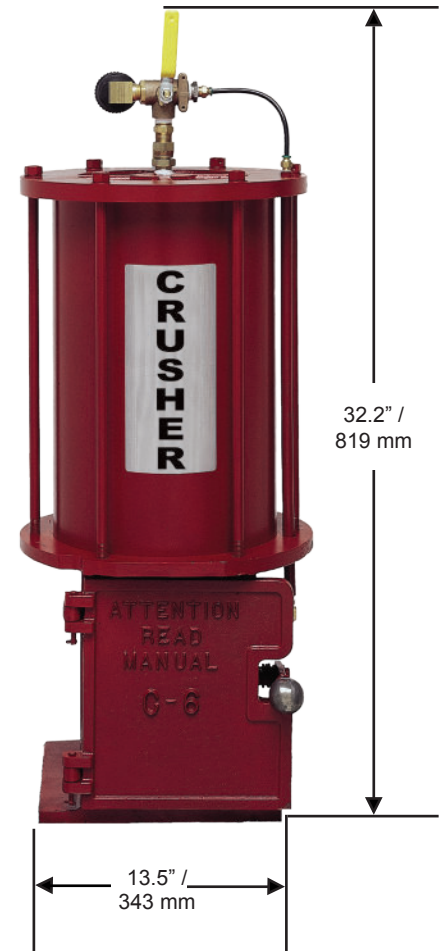
WARNING: Cancer and Reproductive Harm - www.P65Warnings.ca.gov

**C-6 Pneumatic Oil Filter Crusher for light truck diesel and SUV filters.**

## Dimensions and System Options

### Repair Parts

MODEL NO.	DESCRIPTION
007589	C-4, C6 90 degree Elbow
007599	C-4, C6 TT12 Ball Valve
007628	C-6 Cup Plate
007632	C-6 Push Plate
007629	C-6 Door
007858	C-6 Return Spring
007633	C-6 Shaft
007634	C-6 Top Bearing
007642	C-4, C-6 TT-12 MJV-3 Air Clippard Valve
007708	C-4, C-6 3/8" Push-on Connector
007719	C-4, C-6, TT-12 Muffler
007749	C-4, C-6, TT-12 S1205 Safety Valve
007847	C-4, C-6 Handle
007861	C-6 Neoprene Cup
007862	C-6 10" Large O-Ring
007901	C-4, C-6 Reducer Bushing
007902	C-4, C-6, TT-12 1-1/4" 12 Jam Nut
007903	C4, C-6, TT-12 1-1/8" Washer
007904	C-4, C-6, TT-12, TT-25 3/8" Ball Bearing Switch
007905	C-4, C-6, TT-12, TT-25 Safety Switch Spring
007906	C-4, C-6, TT-12, TT-25 1/4" x 2-1/4" Clevis Pin
007907	C-4, C-6, TT-12, TT-25 3/8" ID x 1/2" OD Bearing
007908	C-4, C-6, TT-12, TT-25 1/4" x 1-1/2" Clevis Pin
007909	C-4, C-6, TT-12, TT-25 3/32" x 1/2" Cotter Pin
007917	C-4, C-6, TT-12. TT-25 3/8" x 2-1/4" Grade 8 Tap Bolt
007918	C-4, C-6. TT-12, TT-25 3/8" x 16 Stover Nut
007938	C-4, C-6, TT-12, TT-25 5/16" Flat Washer
007940	C-4, C-6, TT-12 1/4" Air Hose Assembly



2325 Husky Way • Pacific, MO 63069  
 (800) 325-3558 • Fax (636) 825-7300  
[www.husky.com](http://www.husky.com) • [sales@husky.com](mailto:sales@husky.com)

MADE IN THE U.S.A. 

# TT-12 Crusher



## Pneumatic Oil Filter Crusher for tractor trailer and truck filters.

- Reduces filters by 75% of original size, and removes 95% of the free-flowing oil so it can be recycled.
- Only one moving part, a 2" shaft.
- Safety door - crusher will not operate if door is opened.
- Cycle time: 23 seconds.
- Air requirement - 125 to 175 PSI.
- Air regulator not needed.
- Oiler and lubricator not needed.
- All parts in contact with air are rust proof.
- Size: 51" high, 18" wide, 17" deep.
- Lifetime warranty on housing, one year limited on all other parts.
- Optional Stand.
- Crusher weight 358 lbs. With stand 470 lbs. (Shipping weight 530 lbs. Trucked on pallet.)
- Large crushing chamber: accepts filters up to 16" tall x 9" diameter.

### New Crushers

MODEL NO.	DESCRIPTION	SHIPPING WEIGHT LBS (KG)
007715	TT12 Pneumatic Truck Oil Filter Crusher	418 (189.6)
007550	Large Crusher Stand with Reservoir for C-6, TT12 and TT25 Oil Filter Crushers	172 (78)
008210	TT12 Pneumatic Truck Oil Filter Crusher (007715) with Crusher Stand with Reservoir (007550)	530 (240.4)



Model 007550



Model 007715



WARNING: Cancer and Reproductive Harm - www.P65Warnings.ca.gov





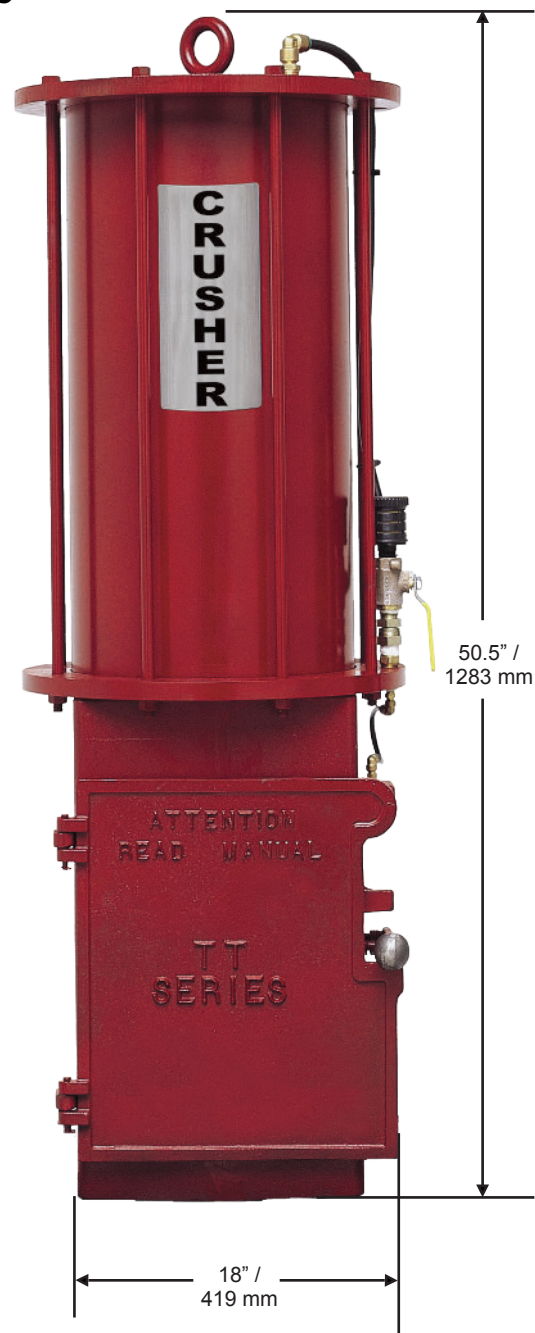
# TT-12 Crusher

Pneumatic Oil Filter Crusher for tractor trailer and truck filters.

## Dimensions and System Options

### Repair Parts

Model No.	Description
007599	C4, C6 TT12 Ball Valve
007644	TT12 Cylinder
007604	TT12 Bottom Plate
007863	TT12, TT25 Push Plate
007799	TT12 Door
007796	TT12 Return Spring
007800	TT12 Shaft
007642	C4, C6 TT12 MJV-3 Air Clippard Valve
007719	C4, C6, TT12 Muffler
007749	C4, C6, TT12 S1205 Safety Valve
007793	TT12 Handle
007856	TT12 1/2" OD x .062 Tubing
007795	TT12 12" Piston Cup
007794	TT12 12" Large O-Ring
007902	C4, C6, TT12 1-1/4" 12 Jam Nut
007903	C4, C6, TT12 1-1/8" Washer
007904	C4, C6, TT12, TT25 3/8" Ball Bearing Switch
007905	C4, C6, TT12, TT25 Safety Switch Spring
007906	C4, C6, TT12, TT25 1/4" x 2-1/4" Clevis Pin
007907	C4, C6, TT12, TT25 3/8" ID x 1/2" OD Bearing
007908	C4, C6, TT12, TT25 1/4" x 1-1/2" Clevis Pin
007909	C4, C6, TT12, TT25 3/32" x 1/2" Cotter Pin
007917	C4, C6, TT12. TT25 3/8" x 2-1/4" Grade 8 Tap Bolt
007918	C4, C6. TT12, TT25 3/8" x 16 Stover Nut
007938	C4, C6, TT12, TT25 5/16" Flat Washer
007940	C4, C6, TT12 1/4" Air Hose Assembly



2325 Husky Way • Pacific, MO 63069  
 (800) 325-3558 • Fax (636) 825-7300  
[www.husky.com](http://www.husky.com) • [sales@husky.com](mailto:sales@husky.com)

MADE IN THE U.S.A.

# TT-25 CRUSHER



**Electric Hydraulic Oil Filter Crusher for tractor trailer and truck filters.**

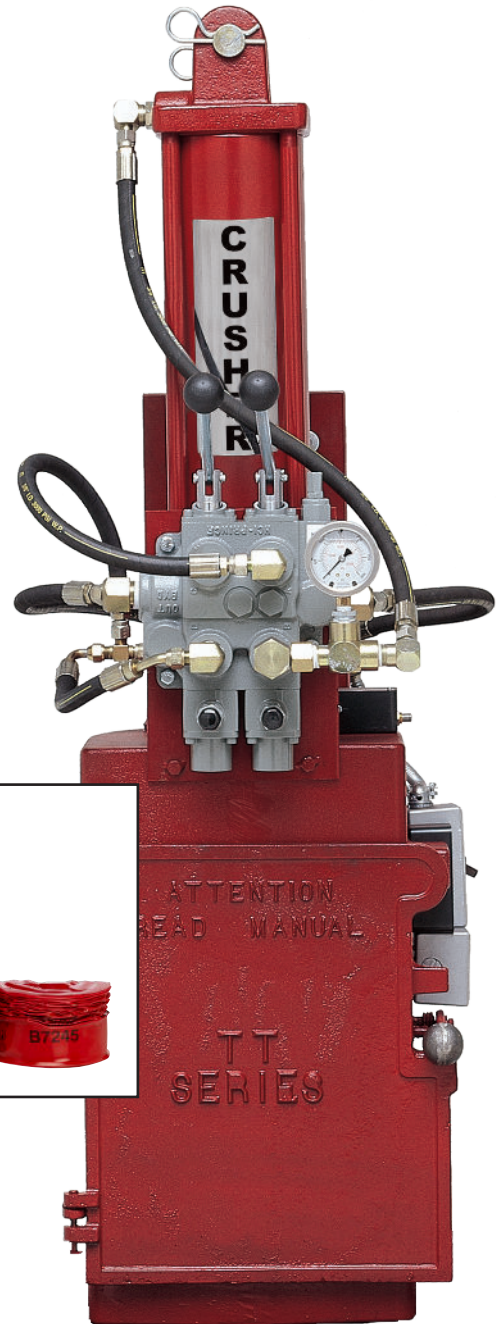
- Reduces filters by 75% of original size, and removes 95% of the free-flowing oil so it can be recycled.
- Large crushing chamber: accepts filters up to 16" tall x 9" diameter.
- Automatic crushing cycle.
- Cycle time: 1 minute.
- Pump: 1 Phase/ 230V/60Hz or 1 Phase 220V/50Hz.
- Safety door - crusher will not operate if door is opened.
- Overall size on optional stand: 87" high, 23" wide, 31" deep.
- Lifetime warranty on housing, one year limited on all other parts.
- Size: 50" high, 18" wide, 31" deep.
- Optional Stand.
- Crusher weight 404 lbs. With stand 516 lbs. (Shipping weight 576 lbs. Trucked on pallet.)

### New Crushers

MODEL NO.	DESCRIPTION	SHIPPING WEIGHT LBS (KG)
008215	TT25 Electric Hydraulic Oil Filter Crusher, 60Hz	464 (210.5)
007550	Large Crusher Stand with Reservoir for C-6, TT12 and TT25 Oil Filter Crushers	172 (78)
007720	TT25 Electric Hydraulic Oil Filter Crusher (008215) with Crusher Stand with Reservoir (007550)	576 (261.3)



Model 007550



Model 008215



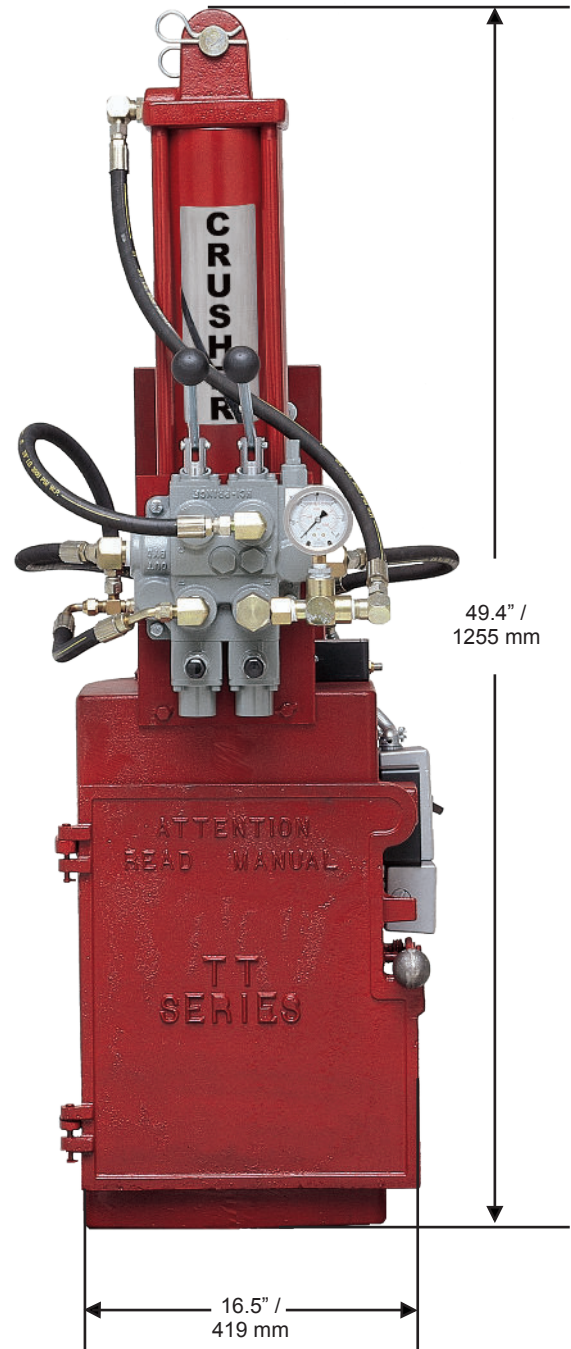
WARNING: Cancer and Reproductive Harm - www.P65Warnings.ca.gov

Electric Hydraulic Oil Filter Crusher for tractor trailer and truck filters.

## Dimensions and System Options

### Repair Parts

MODEL NO.	DESCRIPTION
007714	TT25 9/16" MJIC x 9/16" Elbow Adaptor
007863	TT12, TT25 Push Plate
007929	TT25 Ram
007734	TT25 Pump, 60Hz
011943	TT25 Pump, 50Hz
007899	TT25 Handle Spring
007904	C4, C6, TT12, TT25 3/8" Ball Bearing Switch
007905	C4, C6, TT12, TT25 Safety Switch Spring
007906	C4, C6, TT12, TT25 1/4" x 2-1/4" Clevis Pin
007907	C4, C6, TT12, TT25 3/8" ID x 1/2" OD Bearing
007908	C4, C6, TT12, TT25 1/4" x 1-1/2" Clevis Pin
007909	C4, C6, TT12, TT25 3/32" x 1/2" Cotter Pin
007917	C4, C6, TT12. TT25 3/8" x 2-1/4" Grade 8 Tap Bolt
007918	C4, C6. TT12, TT25 3/8" x 16 Stover Nut
007938	C4, C6, TT12, TT25 5/16" Flat Washer



2325 Husky Way • Pacific, MO 63069  
 (800) 325-3558 • Fax (636) 825-7300  
[www.husky.com](http://www.husky.com) • [sales@husky.com](mailto:sales@husky.com)

MADE IN THE U.S.A. 

# Filter Crusher Stands



For all truck and automotive filter crushers.

### Model 007550

- Industrial grade steel.
- Drain shelf for storing filters.
- 2" NPT drain for piping to other storage vessels.
- Accomodates a 30-gallon drum.
- Can be used with most filter crushers manufactured by BJ Enterprises.
- Vibration pads and provisions for securing to the floor.

### Model 007590

- Designed for use with C-4 and C-6 oil filter crushers.
- Industrial grade steel.
- Vibration pads and provisions for securing to the floor.

### New Stands

MODEL NO.	DESCRIPTION	SHIPPING WEIGHT LBS (KG)
007550	Large Crusher Stand with Reservoir for C-6, TT12 and TT25 Oil Filter Crushers	153 (69.4)
007590	Small Crusher Stand for C-4 and C-6 Oil Filter Crushers	101 (45.9)



 **WARNING:** Cancer and Reproductive Harm—[www.P65Warnings.ca.gov](http://www.P65Warnings.ca.gov)



# Filter Crusher Stands

For all truck and automotive filter crushers.

## Dimensions and System Options

### Automotive Crushers

MODEL NO.	DESCRIPTION
007605	C-4 Pneumatic Automobile Oil Filter Crusher
008203	C-4 Pneumatic Automobile Oil Filter Crusher with #007590 Crusher Stand
008207	C-6 Pneumatic SUV Oil Filter Crusher
007610	C-6 Pneumatic SUV Oil Filter Crusher with #007590 Crusher Stand

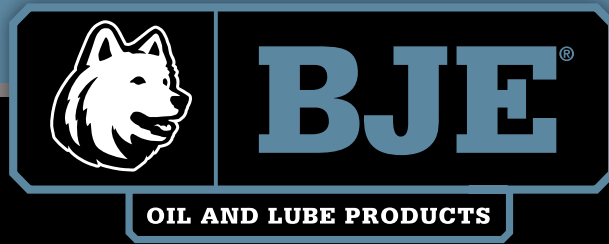
### Truck Crushers

MODEL NO.	DESCRIPTION
007715	TT12 Pneumatic Truck Oil Filter Crusher
008210	TT12 Pneumatic Truck Oil Filter Crusher with #007550 Crusher Stand with Reservoir
008215	TT25 Electronic Over Hydraulic Oil Filter Crusher
007720	TT25 Electronic Over Hydraulic Oil Filter Crusher with #007550 Crusher Stand with Reservoir



2325 Husky Way • Pacific, MO 63069  
 (800) 325-3558 • Fax (636) 825-7300  
[www.husky.com](http://www.husky.com) • [sales@husky.com](mailto:sales@husky.com)

MADE IN THE U.S.A.



# Gauges

**Numbers decrease as fluid level lowers indicating how many inches are left until the tank is empty. For use with oil, waste oil, diesel fuel, antifreeze, and other fluids with a high flash point.**

- One gauge accommodates tanks up to 99”.
- Measures from 99” - 0”.
- 2” NPT threads.
- Large number display.
- Molded housing.
- Direct drive.
- Nickel-plated brass chain.
- Oversized aluminum float assembly rotates to prevent chain entanglement.
- For use with oil, waste oil, diesel fuel, antifreeze, and most liquids with a high flash point.
- New swivel allows easy orientation of gauge after installation.

### New Gauges

MODEL NO.	DESCRIPTION	SHIPPING WEIGHT LBS (KG)
007600	Black Knight® 99” Liquid Level Gauge for New Product	3.5 (1.6)
008164	Black Knight® 99” Liquid Level Gauge for New Product with Vertical Float	3.5 (1.6)



WARNING: Cancer and Reproductive Harm—[www.P65Warnings.ca.gov](http://www.P65Warnings.ca.gov)



# Black Knight<sup>®</sup> LLG

Numbers decrease as fluid level lowers indicating how many inches are left until the tank is empty. For use with oil, waste oil, diesel fuel, antifreeze, and other fluids with a high flash point.

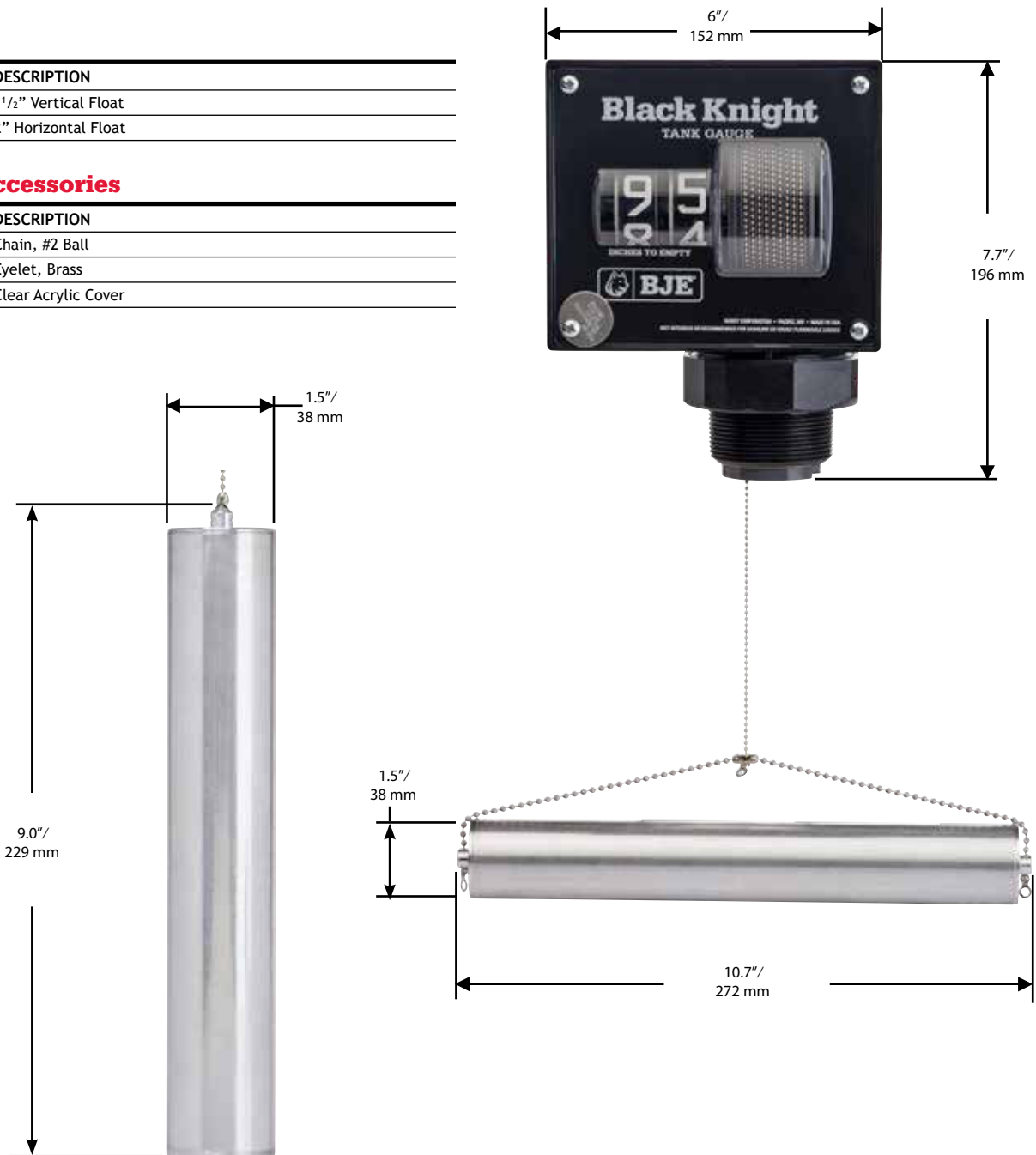
## Dimensions and System Options

### Floats

MODEL NO.	DESCRIPTION
007615	1 1/2" Vertical Float
007616	2" Horizontal Float

### Other Accessories

MODEL NO.	DESCRIPTION
007551	Chain, #2 Ball
007552	Eyelet, Brass
007639	Clear Acrylic Cover



2325 Husky Way • Pacific, MO 63069  
 (800) 325-3558 • Fax (636) 825-7300  
[www.husky.com](http://www.husky.com) • [sales@husky.com](mailto:sales@husky.com)

MADE IN THE U.S.A.



**Numbers decrease as fluid level lowers indicating how many centimeters are left until the tank is empty. For use with oil, waste oil, diesel fuel, antifreeze, and other fluids with a high flash point.**

- Large number display.
- Measures from 0 cm to 365 cm (approximately 3.65 m).
- Mechanical operation. No batteries required.
- Weather resistant durable molded housing.
- 2" NPT threads and 2" BSPT threads.
- Nickel-plated brass chain.
- Aluminum horizontal float (vertical float optional).
- Easy-to-read digital readout.
- Durable direct drive chain.
- Less expensive than comparable models.
- Faster than sticking the tank for level reading.

### New Gauges

MODEL NO.	DESCRIPTION	SHIPPING WEIGHT LBS (KG)
008743	Metric Black Knight® Horizontal Float, 2" BSPT	2.5 (1.1)
010176	Metric Black Knight® Horizontal Float, 2" NPT	2.5 (1.1)
010753	Metric Black Knight® Vertical Float, 2" NPT	2.5 (1.1)



**!** WARNING: Cancer and Reproductive Harm—www.P65Warnings.ca.gov



# Metric Black Knight®

Numbers decrease as fluid level lowers indicating how many centimeters are left until the tank is empty. For use with oil, waste oil, diesel fuel, antifreeze, and other fluids with a high flash point.

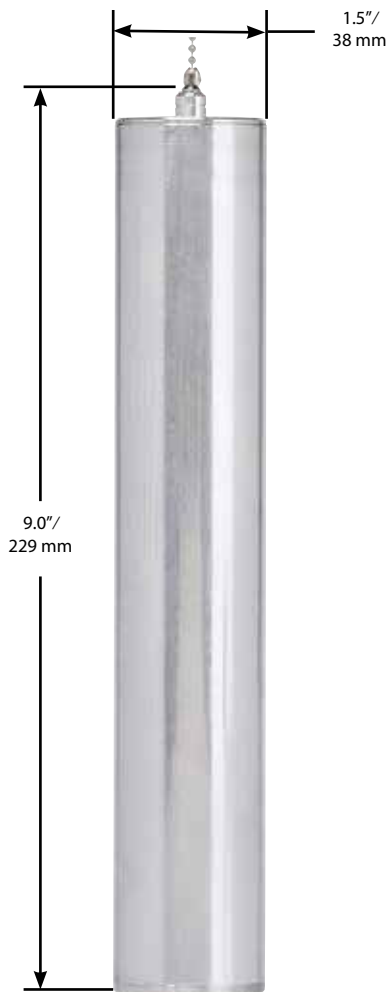
## Dimensions and System Options

### Floats

MODEL NO.	DESCRIPTION
007615	1½" Vertical Float
007616	2" Horizontal Float

### Other Accessories

MODEL NO.	DESCRIPTION
007551	Chain, #2 Ball
007552	Eyelet, Brass



2325 Husky Way • Pacific, MO 63069  
 (800) 325-3558 • Fax (636) 825-7300  
[www.husky.com](http://www.husky.com) • [sales@husky.com](mailto:sales@husky.com)

MADE IN THE U.S.A.

**Numbers decrease as fluid level rises indicating how many inches are left until the tank is full. For use with oil, waste oil, diesel fuel, antifreeze, and other fluids with a high flash point.**

- One gauge accomodates tanks up to 99”.
- Large number display.
- Molded housing.
- Direct drive.
- 2” NPT threads.
- Nickel-plated brass chain.
- Oversized aluminum float assembly rotates to prevent chain entanglement.
- For use with oil, waste oil, diesel fuel, antifreeze, and most liquids with a high flash point.
- New swivel allows easy orientation of gauge after installation.

### New Gauges

MODEL NO.	DESCRIPTION	SHIPPING WEIGHT LBS (KG)
007665	Red Fox <sup>®</sup> 99” Liquid Level Gauge Horizontal Float	3.5 (1.6)
008566	Red Fox <sup>®</sup> 99” Liquid Level Gauge Vertical Float 2” NPT	3.5 (1.6)

\*Specify tank depth (in inches) and riser height (in inches)



**WARNING:** Cancer and Reproductive Harm—[www.P65Warnings.ca.gov](http://www.P65Warnings.ca.gov)



Numbers decrease as fluid level rises indicating how many inches are left until the tank is full.  
For use with oil, waste oil, diesel fuel, antifreeze, and other fluids with a high flash point.

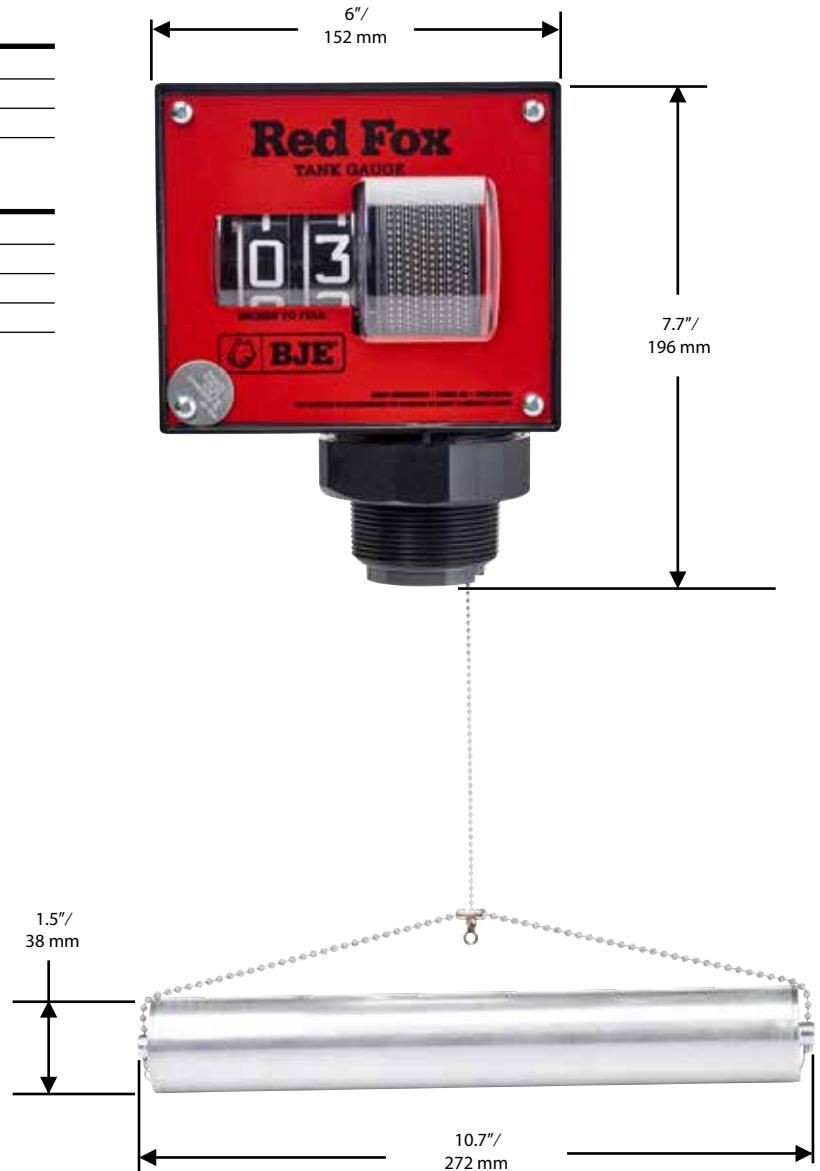
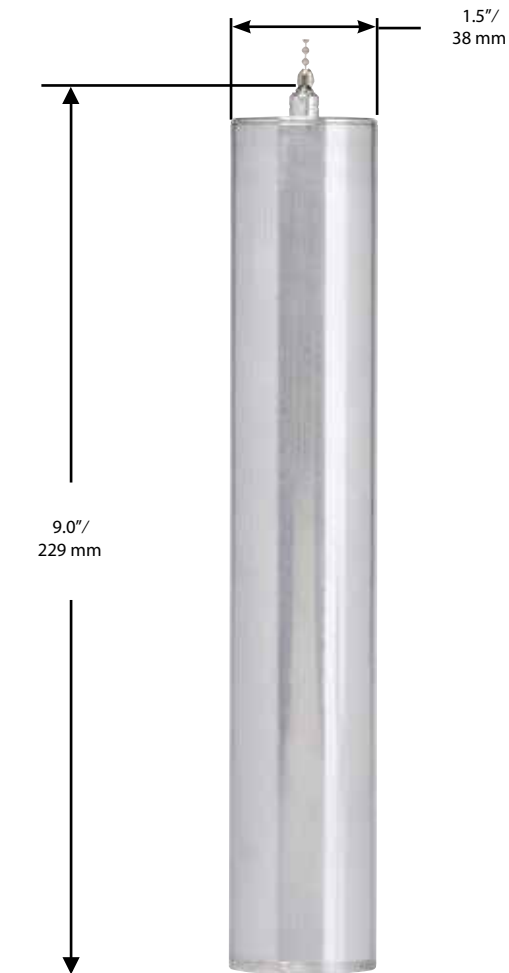
## Dimensions and System Options

### Floats

MODEL NO.	DESCRIPTION
007615	1 1/2" Vertical Float
007616	2" Horizontal Float

### Other Accessories

MODEL NO.	DESCRIPTION
007551	Chain, #2 Ball
007552	Eyelet, Brass
007639	Clear Acrylic Cover



2325 Husky Way • Pacific, MO 63069  
(800) 325-3558 • Fax (636) 825-7300  
[www.husky.com](http://www.husky.com) • [sales@husky.com](mailto:sales@husky.com)

MADE IN THE U.S.A.

# Metric Red Fox®



**Liquid Level Gauges – numbers decrease as fluid level rises indicating how many centimeters are left until the tank is full. For use with oil, waste oil, diesel fuel, antifreeze, and other fluids with a high flash point.**

- One gauge accomodates tanks up to 365 cm.
- Large number display.
- Mechanical operation. No batteries required.
- Weather resistant durable molded housing.
- 2" NPT threads and 2" BSPT threads.
- Nickel-plated brass chain.
- Easy-to-read digital readout.
- Durable direct drive chain.
- Less expensive than comparable models.
- Faster than sticking the tank for level reading.
- Aluminum horizontal float (vertical float optional).

### New Gauges

MODEL NO.	DESCRIPTION	SHIPPING WEIGHT LBS (KG)
010751	Metric Red Fox® Tank Gauge, BSPT	2.5 (1.1)
010752	Metric Red Fox® Vertical, BSPT	2.5 (1.1)
010754	Metric Red Fox® Tank Gauge, NPT	2.5 (1.1)
010755	Metric Red Fox® Vertical, NPT	2.5 (1.1)



**WARNING:** Cancer and Reproductive Harm—[www.P65Warnings.ca.gov](http://www.P65Warnings.ca.gov)



# Metric Red Fox®

**Liquid Level Gauges – numbers decrease as fluid level rises indicating how many centimeters are left until the tank is full. For use with oil, waste oil, diesel fuel, antifreeze, and other fluids with a high flash point.**

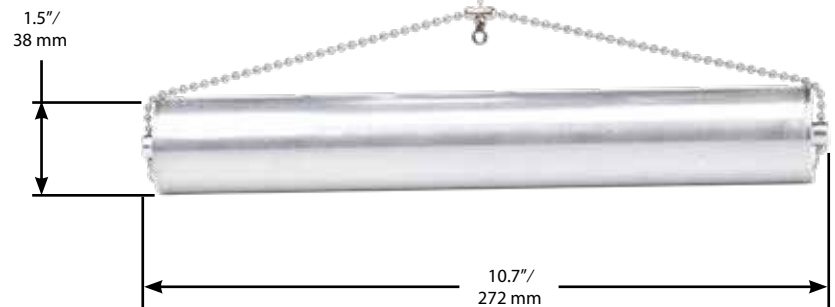
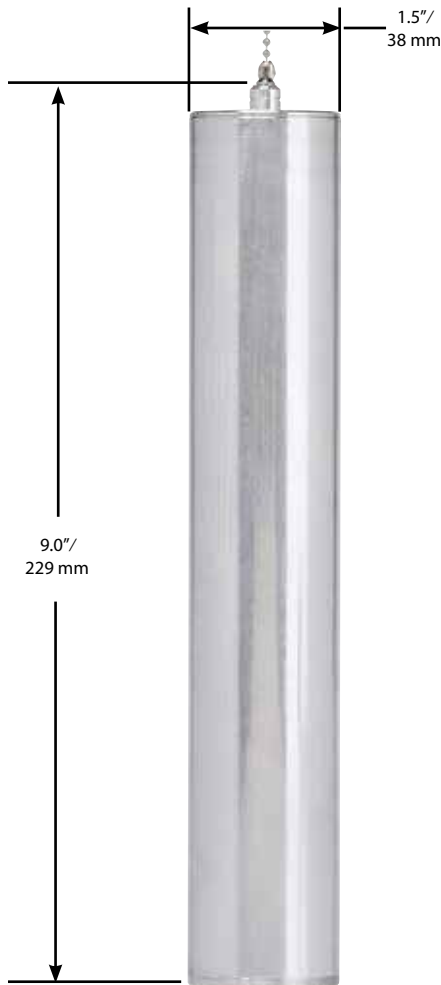
## Dimensions and System Options

### Floats

MODEL NO.	DESCRIPTION
007615	1 1/2" Vertical Float
007616	2" Horizontal Float

### Other Accessories

MODEL NO.	DESCRIPTION
007551	Chain, #2 Ball
007552	Eyelet, Brass



2325 Husky Way • Pacific, MO 63069  
 (800) 325-3558 • Fax (636) 825-7300  
[www.husky.com](http://www.husky.com) • [sales@husky.com](mailto:sales@husky.com)

MADE IN THE U.S.A.

# Jarhead Tank Gauge



For use with oil, waste oil, diesel fuel, antifreeze, water and other fluids with a high flash point.

- Large glass 4 window display.
- Highly visible orange indicator with UV inhibitor.
- 2" NPT (1-1/2" optional).
- Stainless steel rods.
- Aluminum linkage.
- Nitrophenyl float.
- Easy installation.



## New Gauges

MODEL NO.	DESCRIPTION	SHIPPING WEIGHT LBS (KG)
007620*	Jarhead Sightglass Tank Gauge with Fractional Indicators for 18"-60" Tank Depth with 2" Tank Fitting	2.0 (0.9)
007621*	Jarhead Sightglass Tank Gauge with Fractional Indicators for 18"-60" Tank Depth with 1 1/2" Tank Fitting	2.0 (0.9)
007622*	Jarhead Sightglass Tank Gauge with Fractional Indicators for 61"-72" Tank Depth with 2" Tank Fitting	2.3 (1.0)
007623*	Jarhead Sightglass Tank Gauge with Fractional Indicators for 61"-72" Tank Depth with 1 1/2" Tank Fitting	2.3 (1.0)
007625*	Jarhead 275 Gallon Sightglass Tank Gauge with 2" Tank Fitting	2.0 (0.9)
007626*	Jarhead 275 Gallon Sightglass Tank Gauge with 1 1/2" Tank Fitting	2.0 (0.9)

\*Specify tank depth (in inches) and \*\*riser height (in inches)



WARNING: Cancer and Reproductive Harm—www.P65Warnings.ca.gov



# Jarhead Tank Gauge

For use with oil, waste oil, diesel fuel, antifreeze, water and other fluids with a high flash point.

## Dimensions and System Options

### 007 Tank Monitors

MODEL NO.	DESCRIPTION
007555*	007 Audible and Visual Tank Monitor with Jarhead Tank Gauge (includes indoor mount control panel, Jarhead Tank Gauge, 2" NPT tank fitting and 12 volt transformer)
009919	007 Audible and Visual Tank Monitor with Jarhead Tank Gauge (includes indoor mount control panel, Jarhead Tank Gauge, 1-1/2" NPT tank fitting and 12 volt transformer)

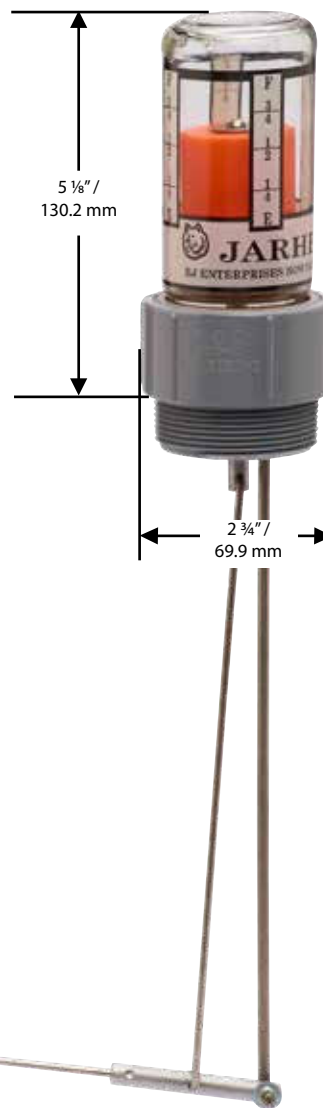
### Sentry Wall Mounted Tank Monitors

MODEL NO.	DESCRIPTION
007685*	Sentry High or Low Wall Mounted Battery Operated Tank Monitor with Built-in 103 Decibel Siren and Jarhead Tank Gauge, 2" NPT tank fitting
007686*	Sentry High or Low Wall Mounted Tank Monitor with Built-in 103 Decibel Siren, Jarhead Tank Gauge, 2" NPT tank fitting and 12 Volt Transformer
009969*	Sentry High or Low Wall Mounted Battery Operated Tank Monitor with Built-in 103 Decibel Siren and Jarhead Tank Gauge, 1-1/2" NPT tank fitting
009972*	Sentry High or Low Wall Mounted Tank Monitor with Built-in 103 Decibel Siren, Jarhead Tank Gauge, 1-1/2" NPT tank fitting and 12 Volt Transformer

\*Specify tank depth (in inches) and \*\*riser height (in inches)

### Accessories

MODEL NO.	DESCRIPTION
011426	2" Jarhead Adaptor
007829	1-1/2" Jarhead Adaptor
007692	Jarhead Jar



2325 Husky Way • Pacific, MO 63069  
 (800) 325-3558 • Fax (636) 825-7300  
[www.husky.com](http://www.husky.com) • [sales@husky.com](mailto:sales@husky.com)

MADE IN THE U.S.A.



# JAR Adjustable Jarhead



For use with oil, waste oil, diesel fuel, antifreeze and other fluids with a high flash point. Adjustable Jarhead that covers range of 18"-72" (46 cm - 182 cm).

- Infinitely adjustable within size range.
- Durable glass housing.
- Highly visible orange indicator.
- Available with 2" NPT, 1 1/2" NPT, 2" BSP, and 1 1/2" BSP.
- 4 ranges of tank depth available: 18"-23", 24"-34", 33"-47", 46"-72", 46 cm-58 cm, 61 cm-86 cm, 84 cm-119 cm, 117 cm-182 cm.
- Scale reading - F-3/4-1/2-1/4-E.
- Only mechanical tank gauge that is adjustable by the customer.
- No need for custom factory orders. Four models cover range of 18"-72" (46 cm - 182cm).
- No special skills necessary to install.
- Brass linkages.
- Allen wrenches included to adjust and tighten linkages.
- Aluminum float.

## New Adjustable Jarhead

MODEL NO.	DESCRIPTION	SHIPPING WEIGHT LBS (KG)
009909	Adjustable Jarhead, 2" NPT 18"-23"	2.0 (0.9)
009916	Adjustable Jarhead, 2" NPT 24"-34"	2.0 (0.9)
009918	Adjustable Jarhead, 2" NPT 33"-47"	2.3 (1.0)
009930	Adjustable Jarhead, 2" NPT 46"-72"	2.5 (1.1)
010393	Adjustable Jarhead, 2" BSP 46 cm-58 cm	2.0 (0.9)
010472	Adjustable Jarhead, 2" BSP 61 cm-86 cm	2.0 (0.9)
010473	Adjustable Jarhead, 2" BSP 84 cm-119 cm	2.3 (1.0)
010474	Adjustable Jarhead, 2" BSP 117 cm-182 cm	2.5 (1.1)
010996	Adjustable Jarhead, 1-1/2" NPT 18"-23"	2.0 (0.9)
010997	Adjustable Jarhead, 1-1/2" NPT 24"-34"	2.0 (0.9)
010998	Adjustable Jarhead, 1-1/2" NPT 33"-47"	2.3 (1.0)
010999	Adjustable Jarhead, 1-1/2" NPT 46"-72"	2.5 (1.1)
013638	Adjustable Jarhead, 1-1/2" BSP 84 cm-119 cm	2.3 (1.0)



WARNING: Cancer and Reproductive Harm - www.P65Warnings.ca.gov



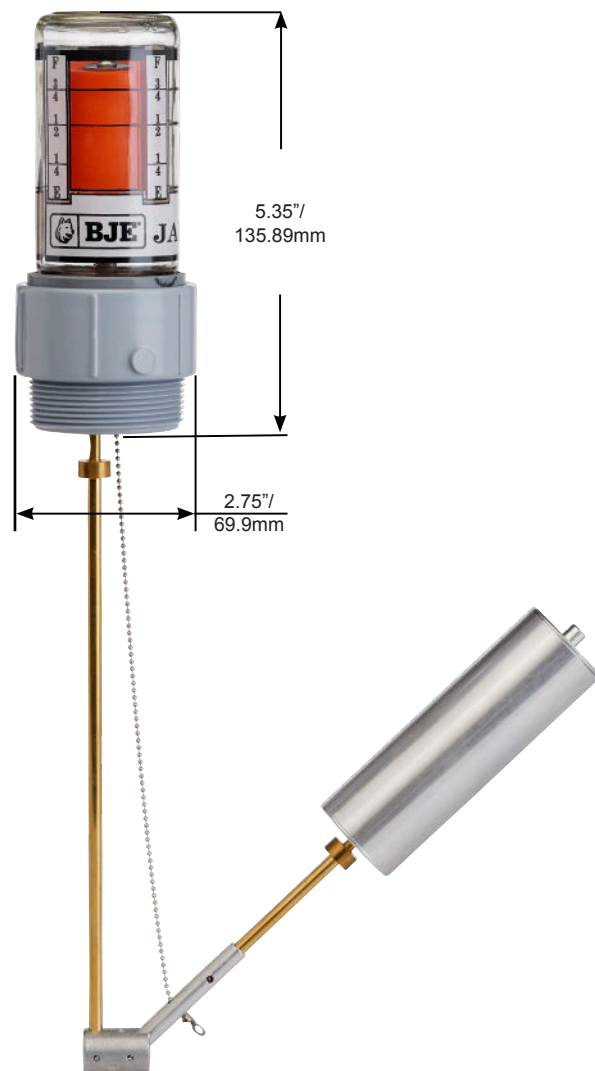
# JAR Adjustable Jarhead

For use with oil, waste oil, diesel fuel, antifreeze and other fluids with a high flash point. Adjustable Jarhead that covers range of 18"-72" (46 cm - 182 cm).

## Dimensions

### Accessories

Model No.	Description
007551	#2 Ball Chain
007552	Eyelet, Brass
007692	Jarhead Jar
007829	Adaptor, 1-1/2" NPT
010009	Adaptor, 2" BSP
011189	Adaptor, 1-1/2" BSP
011426	Adaptor, 2" NPT



2325 Husky Way • Pacific, MO 63069  
 (800) 325-3558 • Fax (636) 825-7300  
[www.husky.com](http://www.husky.com) • [sales@husky.com](mailto:sales@husky.com)

MADE IN THE U.S.A.

# Overfill Tank Gauge



For use with oil, waste oil, diesel fuel, antifreeze and other fluids with a high flash point.



- Large glass 4 window display.
- Highly visible orange indicator with UV inhibitor.
- 2" NPT and BSP
- 1-1/2" NPT and BSP
- Nickel-plated brass chain. Field adjustable to 24" from top of tank. (extended chain available).
- Aluminum float.

## New Gauges

MODEL NO.	DESCRIPTION	SHIPPING WEIGHT LBS (KG)
007640*	Overfill Guard Sightglass Gauge with 2" NPT Tank Fitting	1.5 (0.7)
007641*	Overfill Guard Sightglass Gauge with 1-1/2" NPT Tank Fitting	1.5 (0.7)
011179*	Overfill Guard Sightglass Gauge with 2" BSP Tank Fitting	1.5 (0.7)
011180*	Overfill Guard Sightglass Gauge with 1-1/2" BSP Tank Fitting	1.5 (0.7)

\*Specify tank depth (in inches) and \*\*riser height (in inches)



 **WARNING:** Cancer and Reproductive Harm—[www.P65Warnings.ca.gov](http://www.P65Warnings.ca.gov)



# Overfill Tank Gauge

For use with oil, waste oil, diesel fuel, antifreeze and other fluids with a high flash point.

## Dimensions and System Options

### 007 Tank Monitors

MODEL NO.	DESCRIPTION
007565	007 Audible and Visual Tank Monitor with Overfill Tank Gauge (includes indoor mount control panel, Overfill Tank Gauge and 12 volt transformer)
009965	007 Audible and Visual Tank Monitor with Overfill Tank Gauge, 1-1/2" NPT tank fitting (includes indoor mount control panel, Overfill Tank Gauge and 12 volt transformer)

### Sentry Wall Mounted Tank Monitors

MODEL NO.	DESCRIPTION
007680	Sentry High or Low Wall Mounted Battery Operated Tank Monitor with Built-in 103 Decibel Siren and Overfill Tank Gauge
007681	Sentry High or Low Wall Mounted Tank Monitor with Built-in 103 Decibel Siren, Overfill Tank Gauge and 12 Volt Transformer
009973	Sentry High or Low Wall Mounted Battery Operated Tank Monitor with Built in 103 Decibel Siren, and Overfill Tank Gauge, 1-1/2" NPT tank fitting
009975	Sentry High or Low Wall Mounted Tank Monitor with Built-in 103 Decibel Siren, Overfill Tank Gauge and 12 Volt Transformer, 1-1/2" NPT tank fitting

### Accessories

MODEL NO.	DESCRIPTION
007829	Adaptor, 1-1/2"
011426	Adaptor, 2"
007551	Chain, #2 Ball
007552	Eyelet, Brass
007866	Jar, Overfill



2325 Husky Way • Pacific, MO 63069  
 (800) 325-3558 • Fax (636) 825-7300  
[www.husky.com](http://www.husky.com) • [sales@husky.com](mailto:sales@husky.com)

MADE IN THE U.S.A.

# Leak Guard Tank Gauge



For use with oil, waste oil, diesel fuel, antifreeze and other fluids with a high flash point.



- Large glass 4 window display.
- Highly visible orange indicator with UV inhibitor.
- 2" NPT and BSP
- 1-1/2" NPT and BSP
- Nickel-plated brass chain. Field adjustable to 72" from top of tank (extended chain available).
- Aluminum float.

## New Gauges

MODEL NO.	DESCRIPTION	SHIPPING WEIGHT LBS (KG)
007635	Leak Guard Sightglass Gauge for Double Wall Tanks with 2" Male NPT Tank Fitting	1.5 (0.7)
007636	Leak Guard Sightglass Gauge for Double Wall Tanks with 1 1/2" Male NPT Tank Fitting	1.5 (0.7)
010002	Leak Guard Sightglass Gauge for Double Wall Tanks with 2" Male NPT Tank Fitting and Extended Chain	1.5 (0.7)
011177	Leak Guard Sightglass Gauge for Double Wall Tanks with 2" Male BSP Tank Fitting	1.5 (0.7)
011178	Leak Guard Sightglass Gauge for Double Wall Tanks with 1 1/2" Male BSP Tank Fitting	1.5 (0.7)
014287	Leak Guard Sightglass Gauge for Double Wall Tanks with 1 1/2" Male NPT Tank Fitting and Extended Chain	1.5 (0.7)
014556	Leak Guard Sightglass Gauge for Double Wall Tanks with 2" Female NPT Tank Fitting	1.5 (0.7)





# Leak Guard Tank Gauge

For use with oil, waste oil, diesel fuel, antifreeze and other fluids with a high flash point.

## Dimensions and System Options

### 007 Tank Monitors

MODEL NO.	DESCRIPTION
007560	007 Audible and Visual Tank Monitor with Leak Guard Tank Gauge (includes indoor mount control panel, Leak Guard Tank Gauge and 12 volt transformer)

### Sentry Wall Mounted Tank Monitors

MODEL NO.	DESCRIPTION
007675	Sentry High or Low Wall Mounted Battery Operated Tank Monitor with Built-in 103 Decibel Siren and Leak Guard Tank Gauge
007676	Sentry High or Low Wall Mounted Tank Monitor with Built-in 103 Decibel Siren, Leak Guard Tank Gauge and 12 Volt Transformer
009967	Sentry High or Low Wall Mounted Battery Operated Tank Monitor with Built-in 103 Decibel Siren and Leak Guard Tank Gauge, 1-1/2" Male NPT tank fitting
009970	Sentry High or Low Wall Mounted Battery Operated Tank Monitor with Built-in 103 Decibel Siren, Leak Guard Tank Gauge and 12 Volt Transformer, 1-1/2" Male NPT tank fitting

### Accessories

MODEL NO.	DESCRIPTION
007551	Chain, #2 Ball
007552	Eyelet, Brass
011426	Adaptor, 2"
007865	Jar, Leak



2325 Husky Way • Pacific, MO 63069  
 (800) 325-3558 • Fax (636) 825-7300  
[www.husky.com](http://www.husky.com) • [sales@husky.com](mailto:sales@husky.com)

MADE IN THE U.S.A.

# Seasee Drum Gauge



**55 Gallon Horizontal Drum Gauge for use with oil, waste oil, diesel fuel, antifreeze, water and other fluids with a high flash point.**



- Zinc-plated aluminum faucet.
- Zinc-plated steel drum gauge with visible fluid level.
- Quick disconnect gauge fitting.
- Gauge can be removed during installation/removal from drum.
- For most fluids except concentrated acids or bases.
- Fits 55 gallon drums with  $\frac{3}{4}$ " NPT bung.

## New Gauges

MODEL NO.	DESCRIPTION	SHIPPING WEIGHT LBS (KG)
010528	55 Gallon Horizontal Drum Gauge	2.0 (0.9)

## Construction

Gauge	Clear polymer
Faucet	Aluminum/polymers
Body	Steel
Quick disconnect	Brass/steel



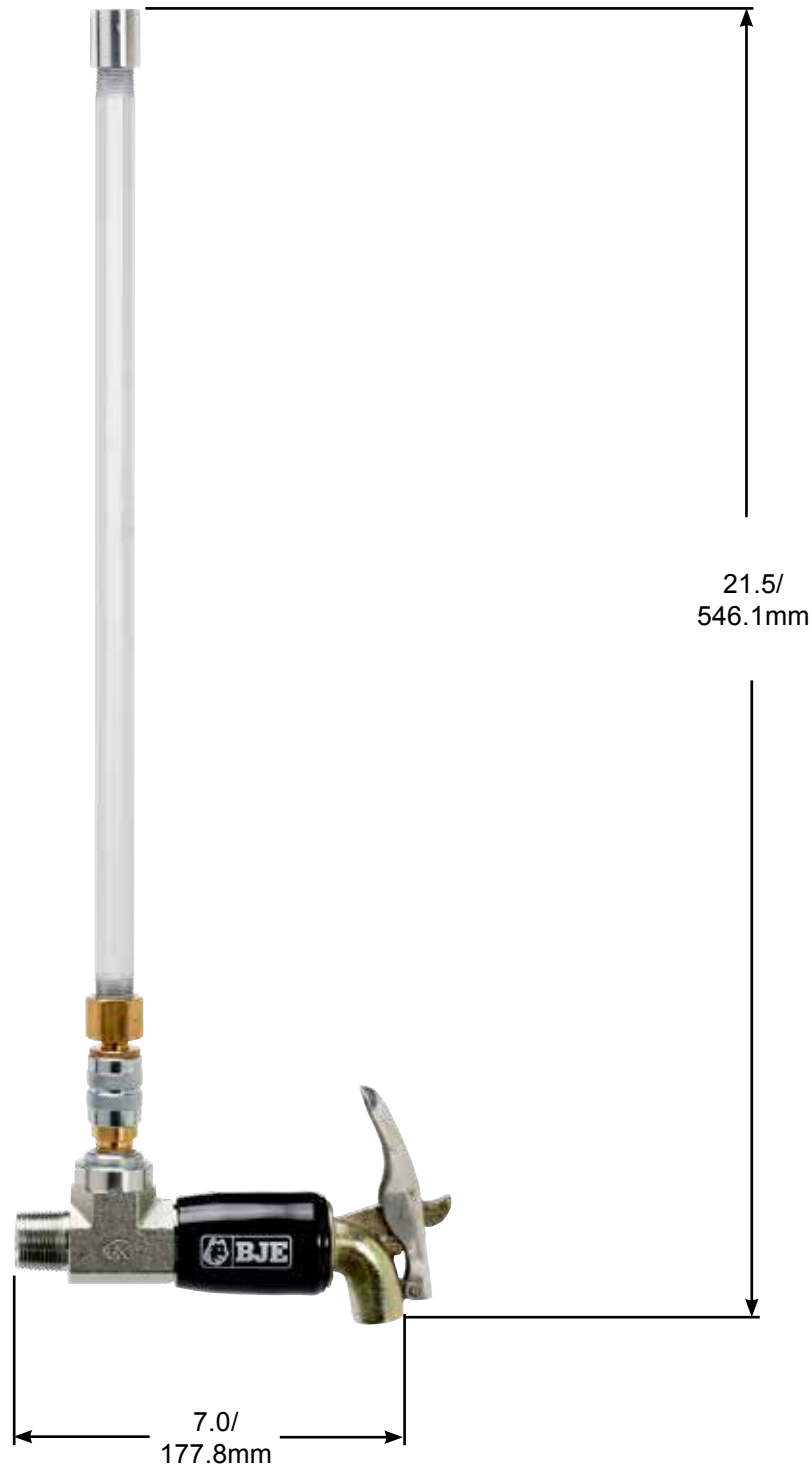
**WARNING:** Cancer and Reproductive Harm—[www.P65Warnings.ca.gov](http://www.P65Warnings.ca.gov)



# Seasee Drum Gauge

55 Gallon Horizontal Drum Gauge for use with oil, waste oil, diesel fuel, antifreeze, water and other fluids with a high flash point.

## Dimensions and System Options



2325 Husky Way • Pacific, MO 63069  
 (800) 325-3558 • Fax (636) 825-7300  
[www.husky.com](http://www.husky.com) • [sales@husky.com](mailto:sales@husky.com)

MADE IN THE U.S.A. 



# DEF Black Knight® LLG



Numbers decrease as fluid level lowers indicating how many inches are left until the tank is empty.  
For use with diesel exhaust fluid (DEF).

- One gauge accommodates tanks up to 99".
- Measures from 99" - 0".
- 2" NPT Threads.
- Large number display.
- Molded housing.
- Direct drive.
- Stainless steel chain.
- Oversized, DEF compatible anodized aluminum float assembly rotates to prevent chain entanglement.
- For use with diesel exhaust fluid (DEF).
- New swivel allows easy orientation of gauge after installation.

### New Gauges

MODEL NO.	DESCRIPTION	SHIPPING WEIGHT LBS (KG)
011809	DEF Black Knight® 99" Liquid Level Gauge for Diesel Exhaust Fluid	3.3 (1.5)



WARNING: Cancer and Reproductive Harm—[www.P65Warnings.ca.gov](http://www.P65Warnings.ca.gov)



# DEF Black Knight® LLG

Numbers decrease as fluid level lowers indicating how many inches are left until the tank is empty.  
For use with diesel exhaust fluid (DEF).

## Dimensions and System Options

### Floats

MODEL NO.	DESCRIPTION
013717	Float, DEF, 2" Horizontal, Anodized Assembly

### Other Accessories

MODEL NO.	DESCRIPTION
007639	Clear Polycarbonate Cover



2325 Husky Way • Pacific, MO 63069  
(800) 325-3558 • Fax (636) 825-7300  
[www.husky.com](http://www.husky.com) • [sales@husky.com](mailto:sales@husky.com)

MADE IN THE U.S.A.

# Clearly Gauge® LLG

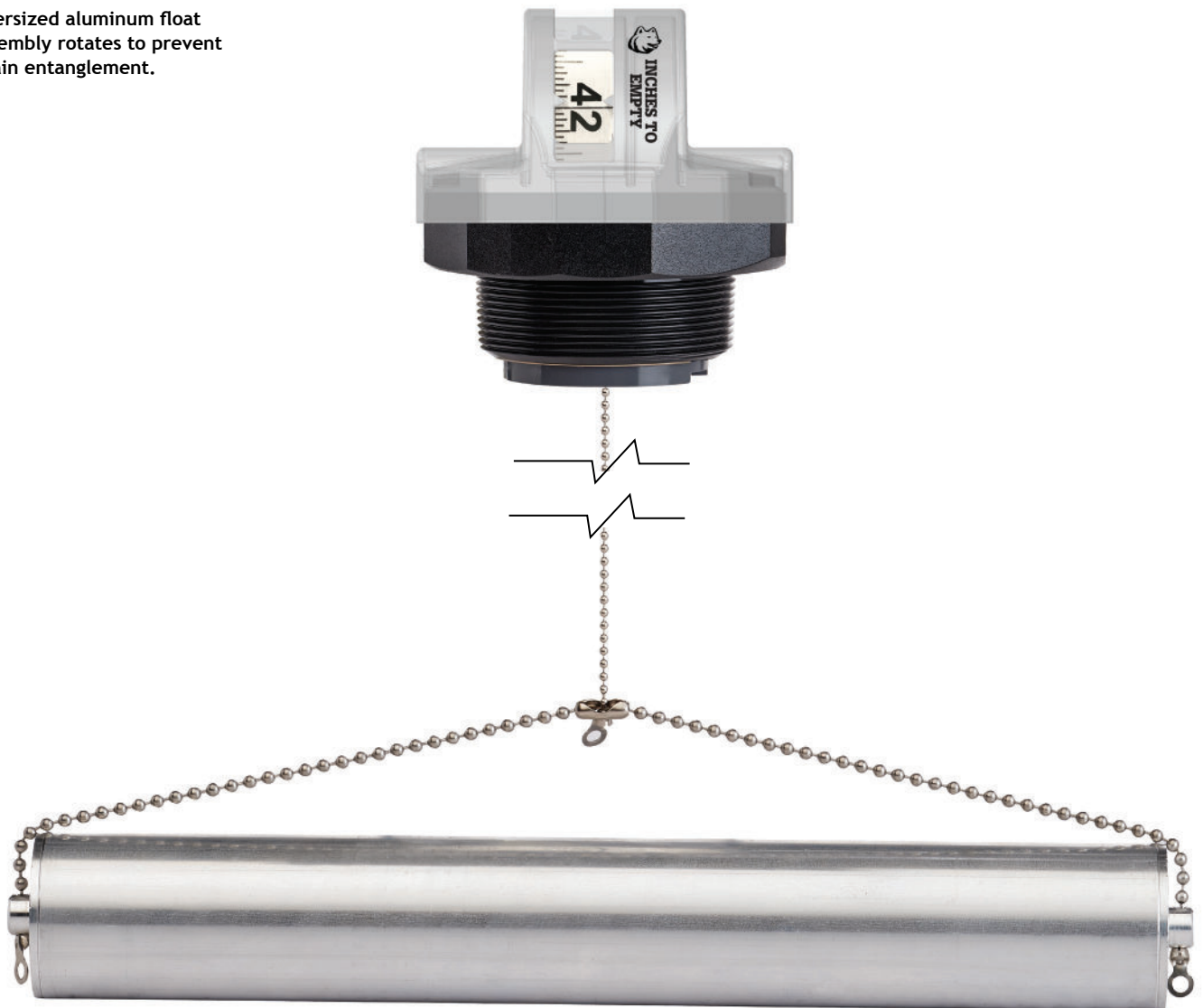



**Numbers decrease as fluid level lowers indicating how many inches are left until the tank is empty. For use with oil, waste oil, diesel fuel, antifreeze, and other fluids with a high flash point.**

- One gauge accommodates tanks up to 72".
- Measures from 72" - 0".
- 2" NPT threads.
- Molded housing.
- Direct drive.
- Nickel-plated brass chain.
- Oversized aluminum float assembly rotates to prevent chain entanglement.
- For use with oil, waste oil, diesel fuel, antifreeze, and most liquids with a high flash point.
- Greater depths available on request.

### New Gauges

MODEL NO.	DESCRIPTION	SHIPPING WEIGHT LBS (KG)
013962	Clearly Gauge® 72" Liquid Level Gauge	.95 (.43)
015184	Clearly Gauge® 72" Liquid Level Gauge with Vertical Float	.95 (.43)



 WARNING: Cancer and Reproductive Harm - [www.P65Warnings.ca.gov](http://www.P65Warnings.ca.gov)



# Clearly Gauge® LLG

Numbers decrease as fluid level lowers indicating how many inches are left until the tank is empty.  
For use with oil, waste oil, diesel fuel, antifreeze, and other fluids with a high flash point.

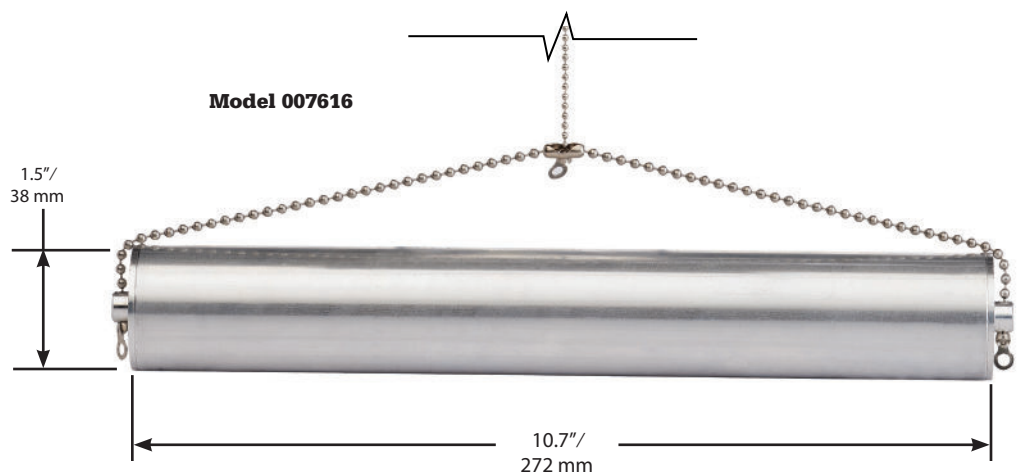
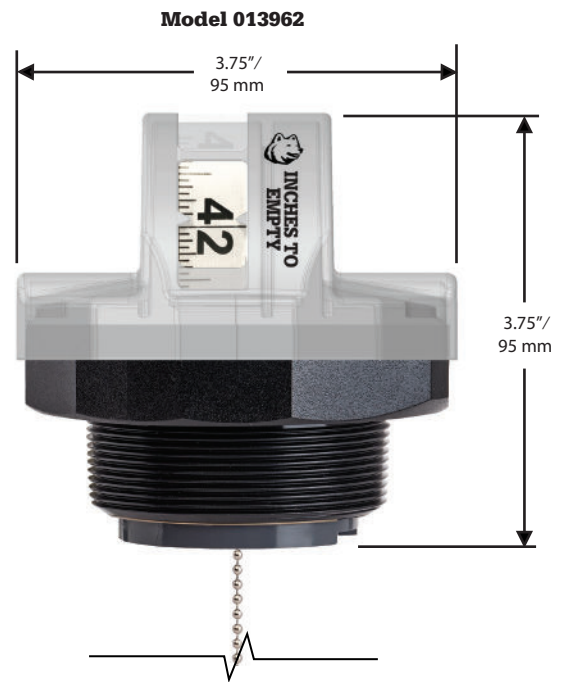
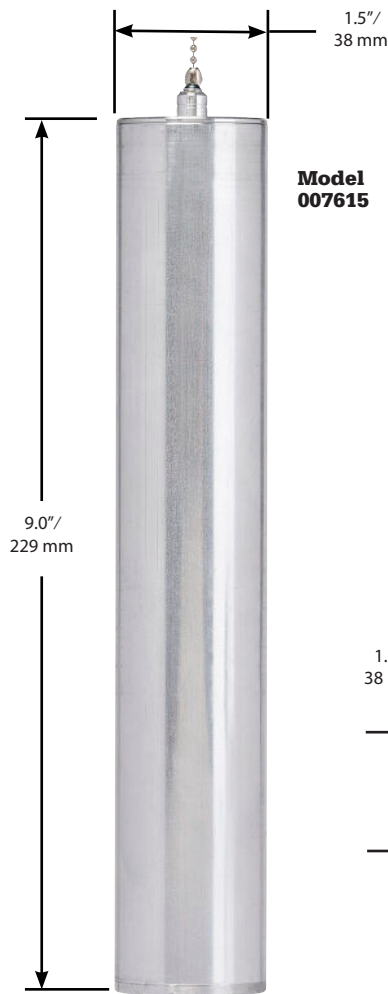
## Dimensions and System Options

### Floats

MODEL NO.	DESCRIPTION
007615	1 1/2" Vertical Float
007616	1 1/2" Horizontal Float

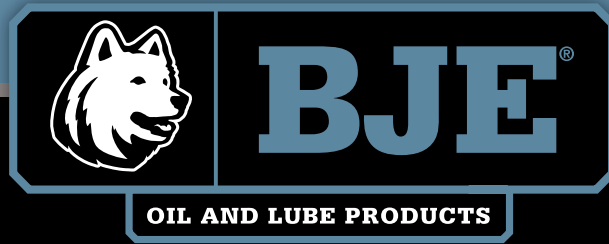
### Other Accessories

MODEL NO.	DESCRIPTION
007551	Chain, #2 Ball
007552	Eyelet, Brass



2325 Husky Way • Pacific, MO 63069  
(800) 325-3558 • Fax (636) 825-7300  
[www.husky.com](http://www.husky.com) • [sales@husky.com](mailto:sales@husky.com)

MADE IN THE U.S.A.



# Tank Gauges & Alarms

# 007 Tank Alarm



**High/Low Tank Alarm for use with oil, waste oil, diesel fuel, antifreeze, water and other fluids with a high flash point.**

- Avoid costly overflows or untimely shortages.
- Supervised system.
- Low voltage.
- Strobe and siren.
- Can drive up to 10 solenoid valves.
- Easy installation.
- Maximum milliamp load is 750 mA. Do not exceed.

## New Gauges and Alarms

MODEL NO.	DESCRIPTION	SHIPPING WEIGHT LBS (KG)
007575	007 Audible and Visual Tank Gauge (includes indoor mount control panel, remote tank sensor, 10' lead wire and 12 volt transformer)	4.0 (1.8)
007555*	007 Audible and Visual Tank Gauge with Jarhead Tank Gauge (includes indoor mount control panel, Jarhead Tank Gauge, and 12 volt transformer) with 2" NPT Tank Fitting	5.0 (2.3)
007560 009963	007 Audible and Visual Tank Gauge with Leak Guard Tank Gauge (includes indoor mount control panel, Leak Guard tank gauge and 12 volt transformer) with 2" NPT Tank Fitting with 1-1/2" NPT Tank Fitting	5.0 (2.3)
007565** 009965**	007 Audible and Visual Tank Gauge with Overfill Tank Gauge (includes indoor mount control panel, Overfill tank gauge and 12 volt transformer) with 2" NPT Tank Fitting with 1-1/2" NPT Tank Fitting	5.0 (2.3)
008295	Audible and Visual Tank Monitor with 12 volt transformer (does not include a tank sensor)	5.0 (2.3)
010304	007 Tank Alarm with built-in 103 Decibel Siren and Strobe Light, Remote 55 Gallon Drum High Level Sensor and 12 volt Transformer	2.8 (1.3)
010305	007 Tank Alarm with built-in 103 Decibel Siren and Strobe Light, Remote 55 Gallon Drum Low Level Sensor with Seal and 12 volt Transformer	3.0 (1.4)
010306	007 Tank Alarm with built-in 103 Decibel Siren and Strobe Light, Remote 55 Gallon Drum High Level Sensor with Seal and 12 volt Transformer	2.8 (1.3)
011875	007 Audible and Visual Tank Gauge, 007 SV Solenoid Valve (includes indoor mount control panel, remote tank sensor, 10' lead wire, pneumatic shut off solenoid valve and two 12 volt transformers)	9.0 (4.1)

\*Specify tank depth (in inches) and \*\*riser height (in inches).



WARNING: Cancer and Reproductive Harm - www.P65Warnings.ca.gov

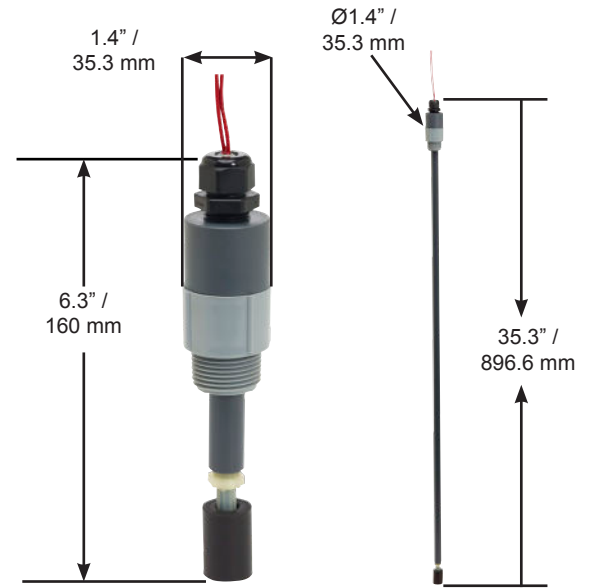
High/Low Tank Alarm for use with oil, waste oil, diesel fuel, antifreeze, water and other fluids with a high flash point.

## Dimensions and System Options

### Accessories

MODEL NO.	DESCRIPTION
007595	12 volt Transformer
007660	Remote Tank Sensor
007936*	Remote Jarhead Tank Sensor with 2" tank fitting
008206*	Remote Jarhead Tank Sensor with 1-1/2" tank fitting
007655	Remote Leak Guard Tank Sensor with 2" tank fitting
007656	Remote Leak Guard Tank Sensor with 1-1/2" tank fitting
007742*	Remote Overfill Guard Tank Sensor with 2" tank fitting
007743**	Remote Overfill Guard Tank Sensor with 1-1/2" tank fitting
007695	Strobe Light
007690	Siren - 107 Decibels
007645	Heavy Duty Power Relay - 30 amp or 1-1/2" HP at 120 or 240 vac
009503	Remote 55 Gallon Drum High Level Sensor
009980	Remote 55 Gallon Drum Low Level Sealed Sensor
010000	Remote 55 Gallon Drum High Level Sealed Sensor

\*Specify tank depth (in inches) and \*\*riser height (in inches).



2325 Husky Way • Pacific, MO 63069  
 (800) 325-3558 • Fax (636) 825-7300  
[www.husky.com](http://www.husky.com) • [sales@husky.com](mailto:sales@husky.com)

MADE IN THE U.S.A. 

# Sentry Tank Alarm



**High/Low Tank Alarm for use with oil, waste oil, diesel fuel, antifreeze, water and other fluids with a high flash point.**

- Avoid costly overflows or untimely inventory shortages.
- Engineered for most single and double walled above ground tanks.
- Common 9-volt battery operated or upgradeable to AC power.
- Alarm sounds for up to four days on a fresh battery.
- Ideal for remote areas where AC power is not accessible.
- Simple installation; easy maintenance.
- New swivel allows easy orientation of gauge after installation.

### New Monitors and Alarms

MODEL NO.	DESCRIPTION	SHIPPING WEIGHT LBS (KG)
007670	Sentry High or Low Battery Operated Tank Alarm with Built-in 103 Decibel Siren	2.5 (1.1)
007671	Sentry high or Low Tank Alarm with Built-in 103 Decibel Siren and 12 Volt Transformer	3.5 (1.6)



**WARNING: Cancer and Reproductive Harm—www.P65Warnings.ca.gov**





# Sentry Tank Alarm

High/Low Tank Alarm for use with oil, waste oil, diesel fuel, antifreeze, water and other fluids with a high flash point.

## Dimensions



2325 Husky Way • Pacific, MO 63069  
 (800) 325-3558 • Fax (636) 825-7300  
[www.husky.com](http://www.husky.com) • [sales@husky.com](mailto:sales@husky.com)

MADE IN THE U.S.A.

# Sentry Wall Mount



**High/Low Tank Alarm for use with oil, waste oil, diesel fuel, antifreeze, water and other fluids with a high flash point.**

- Avoid costly overflows or untimely inventory shortages.
- Engineered for most single and double walled aboveground tanks.
- Common 9-volt battery operated or upgradeable to AC power.
- Alarm sounds for up to four days on a fresh battery.
- Ideal for remote areas where AC power is not accessible.
- Simple installation; easy maintenance.



## Monitors and Alarms

MODEL NO.	DESCRIPTION	SHIPPING WEIGHT LBS (KG)
007675	Sentry High or Low Wall Mount Battery Operated Tank Alarm with Built-in 103 Decibel Siren and Leak Guard Tank Sensor, with 2" NPT tank fitting	4.8 (2.2)
007676	Sentry High or Low Wall Mount Battery Operated Tank Alarm with Built-in 103 Decibel Siren, Leak Guard Tank Sensor and 12 Volt Transformer, with 2" NPT tank fitting	
007680	Sentry High or Low Wall Mount Battery Operated Tank Alarm with Built-in 103 Decibel Siren and Overfill Tank Sensor, with 2" NPT tank fitting	4.0 (1.8)
007681	Sentry High or Low Wall Mount Battery Operated Tank Alarm with Built-in 103 Decibel Siren, Overfill Tank Sensor, and 12 Volt Transformer, with 2" NPT tank fitting	5.5 (2.5)
007725	Sentry High or Low Wall Mount Battery Operated Tank Alarm with Built-in 103 Decibel Siren, with 2" NPT tank fitting	3.0 (1.4)
007726	Sentry High or Low Wall Mount Battery Operated Tank Alarm with Built-in 103 Decibel Siren and 12 Volt Transformer, with 2" NPT tank fitting	
007685*	Sentry High or Low Wall Mount Battery Operated Tank Alarm with Built-in 103 Decibel Siren and Jarhead Tank Sensor, with 2" NPT tank fitting	5.5 (2.5)
007686* 009972	Sentry High or Low Wall Mount Battery Operated Tank Alarm with Built-in 103 Decibel Siren, Jarhead Tank Sensor, and 12 Volt Transformer, with 2" NPT tank fitting with 1-1/2" NPT tank fitting	6.5 (3.0)
010713	Sentry Wall Mount Tank Alarm with Built-in 103 Decibel Siren, Remote 55 Gallon Drum High Level Sensor and Battery	3.0 (1.4)

\*Specify tank depth (in inches) and \*\*riser height (in inches)



**WARNING:** Cancer and Reproductive Harm - [www.P65Warnings.ca.gov](http://www.P65Warnings.ca.gov)



# Sentry Wall Mount

**High/Low Tank Alarm for use with oil, waste oil, diesel fuel, antifreeze, water and other fluids with a high flash point.**

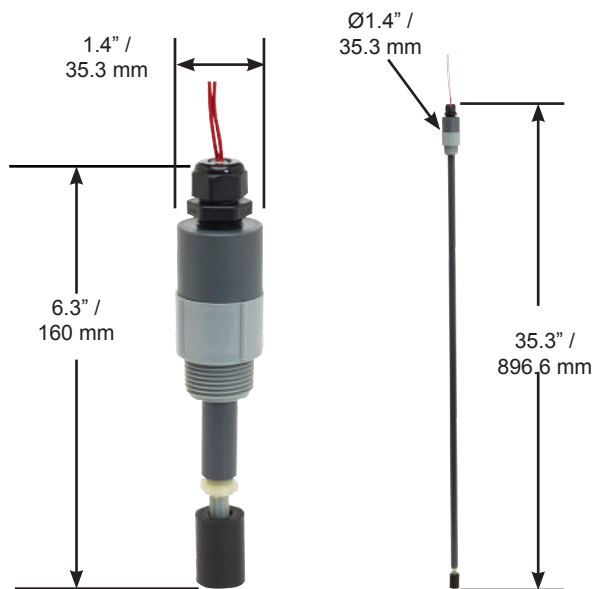
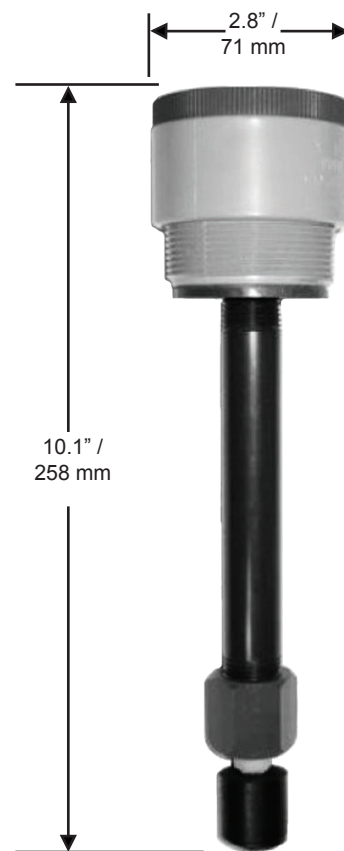
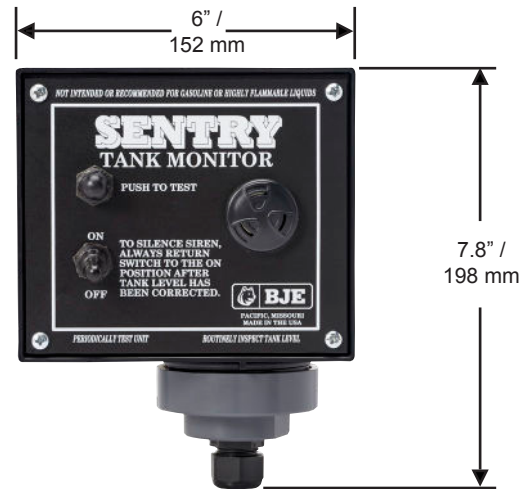
## Dimensions and System Options

### Sensors

MODEL NO.	DESCRIPTION
007661	Remote Tank Sensor
007650	Remote Jarhead Tank Sensor - 2" Tank Fitting
008211	Remote Jarhead Tank Sensor - 1 1/2" Tank Fitting
007657	Remote Leak Guard Tank Sensor - 2" Tank Fitting
007658	Remote Leak Guard Tank Sensor - 1 1/2" Tank Fitting
007740	Remote Overfill Guard Tank Sensor - 2" Tank Fitting
007741	Remote Overfill Guard Tank Sensor - 1 1/2" Tank Fitting
010821	Remote 55 Gallon Drum Low Level Sensor
010824	Remote 55 Gallon Drum High Level Sealed Sensor

### Accessories

MODEL NO.	DESCRIPTION
007829	Adaptor, 1-1/2" NPT
007689	Adaptor, 2" NPT
007551	Chain, #2 Ball
007552	Eyelet, Brass
007606	Float Sensor
007692	Jar, Jarhead
007865	Jar, Leak
007866	Jar, Overfill



2325 Husky Way • Pacific, MO 63069  
 (800) 325-3558 • Fax (636) 825-7300  
[www.husky.com](http://www.husky.com) • [sales@husky.com](mailto:sales@husky.com)

MADE IN THE U.S.A.

## Diesel Exhaust Fluid Tank Gauge with JARHEAD.

- Indicates level in fractions: empty -  $\frac{1}{4}$  -  $\frac{1}{2}$  -  $\frac{3}{4}$  - full.
- Constructed from materials 100% compatible with Diesel Exhaust Fluid (DEF).
- Available in custom lengths from 12" - 120" (457.2 - 3048 mm).
- Durable silk screen painted scales.
- Visi-Glo® level indicator clearly displayed in the large glass window.
- Available for use with the 007 and Sentry high or low tank gauges.



### New Gauges and Alarms

MODEL NO.	DESCRIPTION	SHIPPING WEIGHT LBS (KG)
008558	Sightglass tank gauge with fractional indicators for 12" - 120" tank depth with 2" NPS connection	2.0 (0.9)
008665	Sightglass tank gauge with fractional indicators for 61" - 120" tank depth with 2" NPS connection	2.3 (1.0)

### Construction

Body	Large glass housing
Rods	Stainless steel
Fasteners	Stainless steel
Connectors	Acetal
Linkage	Acetal
Float	DEF Compatible Anodized Aluminum
Seals	Fluorocarbon
Threads	2" / 50.8 mm NPS



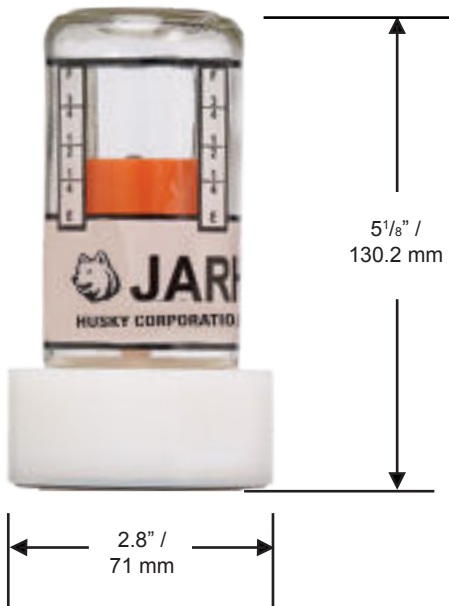
WARNING: Cancer and Reproductive Harm - [www.P65Warnings.ca.gov](http://www.P65Warnings.ca.gov)



# DEF Jarhead

Diesel Exhaust Fluid Tank Gauge with JARHEAD.

## Dimensions



2325 Husky Way • Pacific, MO 63069  
(800) 325-3558 • Fax (636) 825-7300  
[www.husky.com](http://www.husky.com) • [sales@husky.com](mailto:sales@husky.com)

MADE IN THE U.S.A. 

## Diesel Exhaust Fluid OVERFILL Guard Tank Gauge.

- Constructed from materials 100% compatible with Diesel Exhaust Fluid (DEF).
- Stainless steel, field adjustable chain up to 72" (1,828.8 mm).
- Durable silk screen printed graphics.
- Visi-Glo® level indicator clearly displayed in the large glass window.
- Available for use with the 007 and Sentry high or low tank alarms.



### New Gauges and Alarms

MODEL NO.	DESCRIPTION	SHIPPING WEIGHT LBS (KG)
008670	Sightglass overfill guard tank gauge with 2" NPS connection	1.5 (.68)

### Construction

Body	Large glass housing
Chain	Stainless steel
Fasteners	Stainless steel
Connectors	Acetal
Linkage	Acetal
Float	DEF Compatible Anodized Aluminum
Seals	Flouorcarbon



WARNING: Cancer and Reproductive Harm—[www.P65Warnings.ca.gov](http://www.P65Warnings.ca.gov)



# DEF Overfill Guard

Diesel Exhaust Fluid OVERFILL Guard Tank Gauge.

## Dimensions and System Options



2325 Husky Way • Pacific, MO 63069  
 (800) 325-3558 • Fax (636) 825-7300  
[www.husky.com](http://www.husky.com) • [sales@husky.com](mailto:sales@husky.com)

MADE IN THE U.S.A. 

# DEF 007 Tank Alarm



## 007 Tank Alarms with DEF JARHEAD Tank Gauges.

- Tank gauge constructed from materials 100% compatible with Diesel Exhaust Fluid (DEF).
- Wall mount tank alarm can be installed up to 350 feet from tank.
- Built-in 103 decibel siren.
- Built-in, highly visible strobe light.
- Tank alarm includes a push button test switch.
- Toggle switch to silence the siren and a flashing LED light warns when siren is muted.
- AC power indicator light.
- DEF Jarhead sightglass tank gauge indicates fluid level in fractions: empty - 1/4 - 1/2 - 3/4 - full.
- Available in custom lengths from 12" - 120" (457.2 - 3048 mm).
- Durable silk screen painted scales.
- Visi-Glo® level indicator clearly displayed in the large glass window.
- Easy to use, adjustable sensor for high or low alarm.

### New Monitors and Alarms

MODEL NO.	DESCRIPTION	SHIPPING WEIGHT LBS (KG)
008666	Audible and visual tank alarm with 12-volt transformer and sightglass tank gauge with fractional indicators for 12" - 120" tank depth with 2" NPS connection	10 (4.5)

### Construction

Body	Tank Alarm - Weather resistant ABS Tank Gauge - Large glass housing
Rods	Stainless steel
Fasteners	Stainless steel
Connectors	Acetal
Linkage	Acetal
Float	DEF Compatible Anodized Aluminum
Seals	Flourocarbon
Connections	Tank Alarm - 1/2" Romex Connector Tank Gauge - 2" / 50.8 mm NPS threads



WARNING: Cancer and Reproductive Harm—www.P65Warnings.ca.gov

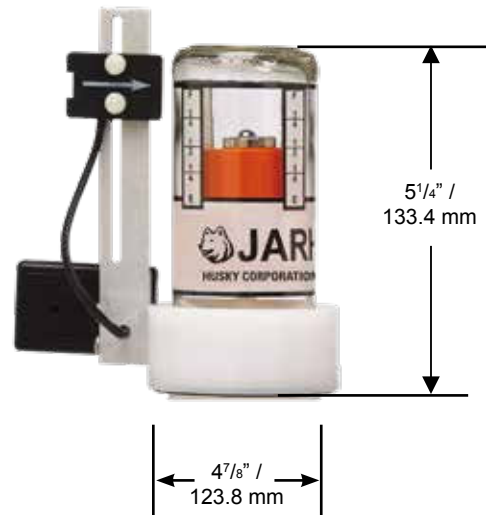




# DEF 007 Tank Alarm

007 Tank Alarms with DEF JARHEAD Tank Gauges.

## Dimensions and System Options



2325 Husky Way • Pacific, MO 63069  
 (800) 325-3558 • Fax (636) 825-7300  
[www.husky.com](http://www.husky.com) • [sales@husky.com](mailto:sales@husky.com)

MADE IN THE U.S.A.

# DEF 007 Tank Alarm



3-7

TANK GAUGES AND ALARMS

## 007 Tank Alarms with DEF OVERFILL Guards.

- Tank gauge constructed from materials 100% compatible with Diesel Exhaust Fluid (DEF).
- Wall mount tank alarm can be installed up to 350 feet from tank.
- Built-in 103 decibel siren.
- Built-in, highly visible strobe light.
- Tank alarm includes a push button test switch.
- Toggle switch to silence the siren and a flashing LED light warns when siren is muted.
- AC power indicator light.
- DEF overfill guard tank gauge has durable silk screen painted graphics.
- Field adjustable length up to 72" (1,828.8 mm).
- Visi-Glo® level indicator clearly displayed in the large glass window.
- Easy to use, adjustable sensor for high or low alarm.

## New Monitors and Alarms

MODEL NO.	DESCRIPTION	SHIPPING WEIGHT LBS (KG)
008667	Audible and visual tank alarm with 12-volt transformer and overfill guard tank gauge with 2" NPS connection	7.0 (3.2)

## Construction

Body	Tank Alarm - Weather resistant ABS Tank Gauge - Large glass housing
Chain	Stainless steel
Fasteners	Stainless steel
Connectors	Acetal
Linkage	Acetal
Float	DEF Compatible Anodized Aluminum
Seals	Flourocarbon
Connections	Tank Alarm - 1/2" Romex Connector Tank Gauge - 2" NPS threads



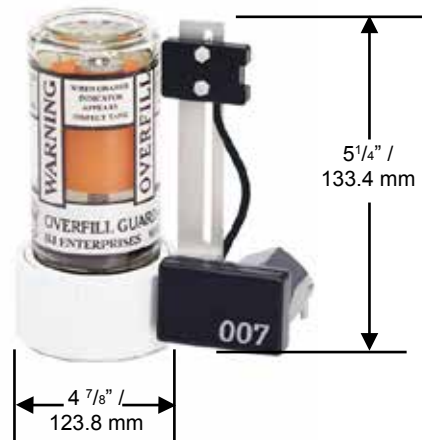
WARNING: Cancer and Reproductive Harm—[www.P65Warnings.ca.gov](http://www.P65Warnings.ca.gov)



# DEF 007 Tank Alarm

007 Tank Alarms with DEF OVERFILL Guards.

## Dimensions and System Options



2325 Husky Way • Pacific, MO 63069  
 (800) 325-3558 • Fax (636) 825-7300  
[www.husky.com](http://www.husky.com) • [sales@husky.com](mailto:sales@husky.com)

MADE IN THE U.S.A.

## Sentry Wall Mounted Tank Alarms with DEF JARHEAD Tank Gauges.

- Tank gauge constructed from materials 100% compatible with Diesel Exhaust Fluid (DEF).
- Wall mount tank alarm can be installed up to 350 feet from tank.
- Built-in 103 decibel siren.
- Tank alarm includes a push button test switch.
- Toggle switch to silence the siren.
- Available with battery or with optional 12-volt transformer.
- DEF Jarhead sightglass tank gauge indicates fluid level in fractions: empty - ¼ - ½ - ¾ - full.
- Available in custom lengths from 12" - 120" (457.2 - 3048 mm).
- Durable silk screen painted scales.
- Visi-Glo® level indicator clearly displayed in the large glass window.
- Easy to use, adjustable sensor for high or low alarm.

### New Monitors and Alarms

MODEL NO.	DESCRIPTION	SHIPPING WEIGHT LBS (KG)
008677	Audible tank alarm, battery operated, with sightglass tank gauge with fractional indicators for 12" - 120" tank depth with 2" NPS connection	5.5 (2.5)
008664	Audible tank alarm, with 12-volt transformer and sightglass tank gauge with fractional indicators for 12" - 120" tank depth with 2" NPS connection	6.5 (2.9)

### Construction

Body	Tank Alarm - Weather resistant ABS Tank Gauge - Large glass housing
Rods	Stainless steel
Fasteners	Stainless steel
Connectors	Acetal
Linkage	Acetal
Float	DEF Compatible Anodized Aluminum
Seals	Fluorocarbon
Connections	Tank Alarm - ½" Romex Connector Tank Gauge - 2" / 50.8 mm NPS threads



WARNING: Cancer and Reproductive Harm—[www.P65Warnings.ca.gov](http://www.P65Warnings.ca.gov)



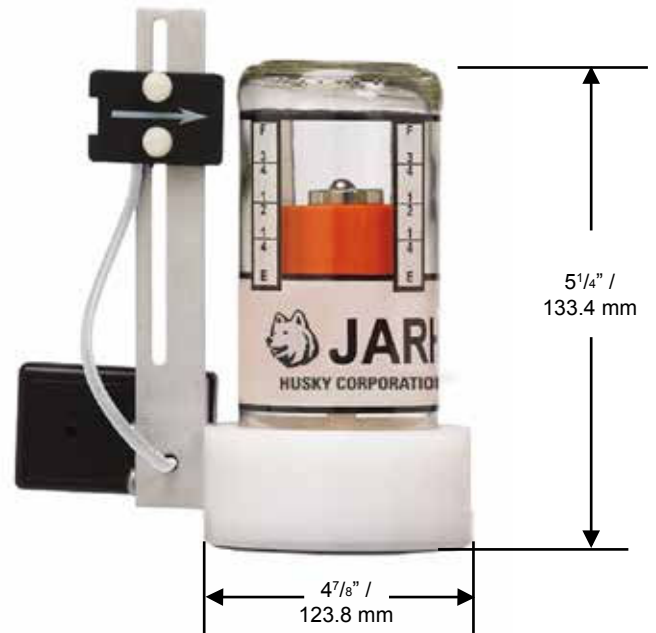
# DEF Sentry Alarm

Sentry Wall Mounted Tank Alarms with DEF JARHEAD Tank Gauges.

## Dimensions and System Options

### Accessories

MODEL NO.	DESCRIPTION
008673	DEF Remote Jarhead Sensor



2325 Husky Way • Pacific, MO 63069  
 (800) 325-3558 • Fax (636) 825-7300  
[www.husky.com](http://www.husky.com) • [sales@husky.com](mailto:sales@husky.com)

MADE IN THE U.S.A.

## Sentry Wall Mounted Tank Alarms with DEF OVERFILL Guards.

- Tank gauge constructed from materials 100% compatible with Diesel Exhaust Fluid (DEF).
- Wall mount tank alarm can be installed up to 350 feet from tank.
- Built-in 103 decibel siren.
- Tank alarm includes a push button test switch.
- Toggle switch to silence the siren.
- Available with battery or with optional 12-volt transformer.
- DEF overfill guard tank gauge has durable silk screen painted graphics.
- Available with field adjustable chain up to 72" (1,828.8 mm).
- Visi-Glo® level indicator clearly displayed in the large glass window.
- Easy to use, adjustable sensor for high or low alarm.

### New Monitors and Alarms

MODEL NO.	DESCRIPTION	SHIPPING WEIGHT LBS (KG)
008668	Audible tank alarm, battery operated, with overfill guard tank gauge with 2" NPS connection	5.5 (2.5)
008669	Audible tank alarm, with 12-volt transformer and overfill guard tank gauge with 2" NPS connection	5.5 (2.5)

### Construction

Body	Tank Alarm - Weather resistant ABS Tank Gauge - Large glass housing
Rods	Stainless steel
Fasteners	Stainless steel
Connectors	Acetal
Linkage	Acetal
Float	DEF Compatible Anodized Aluminum
Seals	Flourocarbon
Connections	Tank Alarm - 1/2" Romex Connector Tank Gauge - 2" / 50.8 mm NPS threads



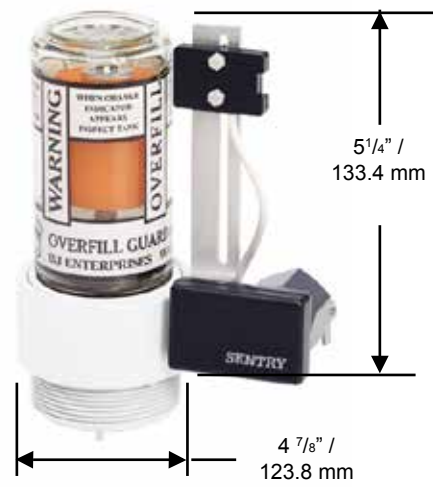
WARNING: Cancer and Reproductive Harm—[www.P65Warnings.ca.gov](http://www.P65Warnings.ca.gov)

Sentry Wall Mounted Tank Alarms with DEF OVERFILL Guards.

## Dimensions and System Options

### Accessories

MODEL NO.	DESCRIPTION
008674	DEF Remote Overfill Guard Sensor



2325 Husky Way • Pacific, MO 63069  
 (800) 325-3558 • Fax (636) 825-7300  
[www.husky.com](http://www.husky.com) • [sales@husky.com](mailto:sales@husky.com)

MADE IN THE U.S.A.

# 55 Drum Alert

## Low and High Drum Alert.

- Waterproof self-contained housing to ensure contaminate-free monitoring.
- Vented design.
- 9-volt battery powered, provided.
- 103 decibel alarm siren.
- Yellow LED low battery indicator light.
- Audible low battery indicator chirp.
- On/Off/Test switch.
- PVC and ABS plastics construction.
- Not recommended for liquids with a specific gravity less than .85.
- Fits in 3/4" NPT vent opening.
- UL Buna N sensor.
- Hi level actuation point = 3"  
Low level actuation point = 2"
- Simple installation.
- Easy battery replacement.
- Audible alert.
- Housing can be rotated for best viewing orientation.
- Less expensive than comparable monitors.
- 2 plus year battery life.
- Alarm sounds for 12 plus hours.

## New 55 Gallon Drum Alert

MODEL NO.	DESCRIPTION	SHIPPING WEIGHT LBS (KG)
009952	Drum "55" Alert Low	1.0 (0.45)
009953	Drum "55" Alert High	.66 (0.3)
013883	SHM1 Outdoor Tank Monitor with Remote Sensor	1.35 (0.6)







# 55 Drum Alert

Low and High Drum Alert.

## Dimensions



2325 Husky Way • Pacific, MO 63069  
 (800) 325-3558 • Fax (636) 825-7300  
[www.husky.com](http://www.husky.com) • [sales@husky.com](mailto:sales@husky.com)

MADE IN THE U.S.A. 

# 55 Drum Alarm

Low, 007 and SENTRY 55 gallon drum alarm.

- Compact low profile sensor housing.
- Vented or sealed design.
- Waterproof cord grip and housing to prevent external contamination of barrel contents.
- 10 foot sensor leads for convenient installation to SENTRY or 007 control panels.
- Not recommended for liquids with a specific gravity less than .85.
- Fits in 3/4" NPT vent opening.
- UL Buna N sensor.
- Hi level actuation point = 3"  
Low level actuation point = 32"
- Interfaces with existing SENTRY or 007 tank monitors.
- Combined with a SENTRY or 007 tank monitors, multiple barrels can be monitored at the same time (additional remote barrel sensors required).
- Less expensive than comparable monitor.

## New 007 55 Gallon Drum Alarm

MODEL NO.	DESCRIPTION	SHIPPING WEIGHT LBS (KG)
009503	Remote 55 Gallon Drum High Level Alarm	.25 (0.1)
009980	Remote 55 Gallon Drum Low Level Sealed Alarm	.45 (0.2)
010000	Remote 55 Gallon Drum High Level Sealed Alarm	.25 (0.1)

## New SENTRY 55 Gallon Drum Alarm

MODEL NO.	DESCRIPTION	SHIPPING WEIGHT LBS (KG)
010821	Remote 55 Gallon Drum Low Level Alarm	.45 (0.2)
010824	Remote 55 Gallon Drum High Level Sealed Alarm	.25 (0.1)



High Alarm



Low Alarm



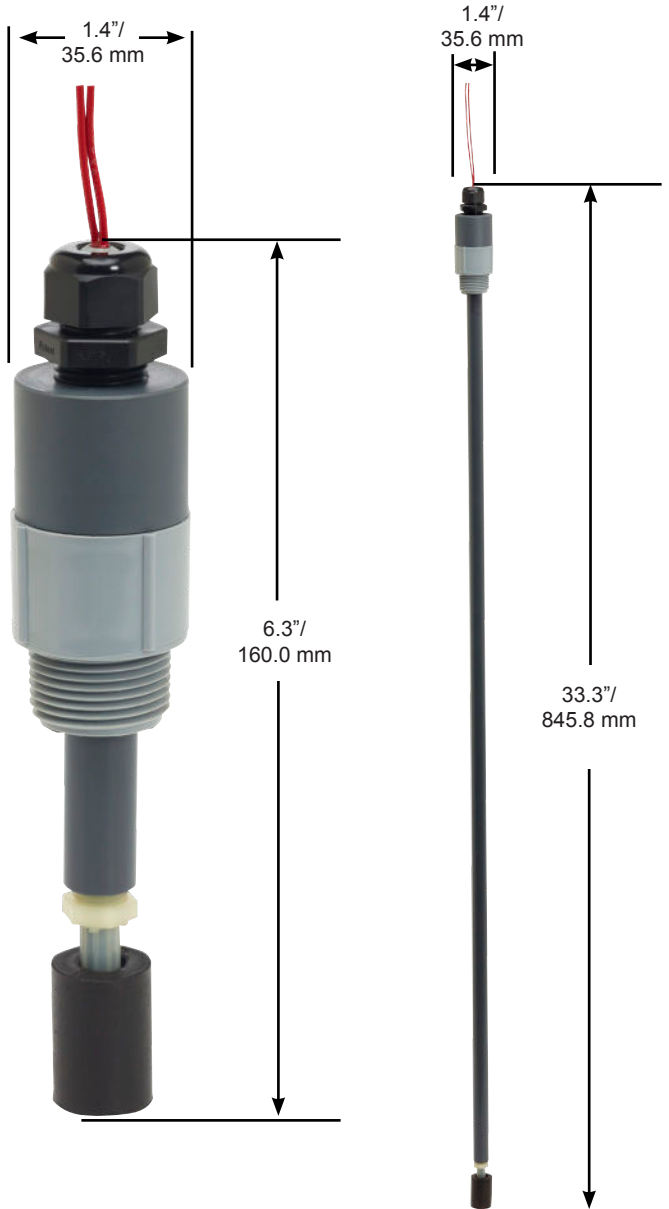
WARNING: Cancer and Reproductive Harm - www.P65Warnings.ca.gov



# 55 Drum Alarm

Low, 007 and SENTRY 55 gallon drum alarm.

## Dimensions



2325 Husky Way • Pacific, MO 63069  
 (800) 325-3558 • Fax (636) 825-7300  
[www.husky.com](http://www.husky.com) • [sales@husky.com](mailto:sales@husky.com)

MADE IN THE U.S.A. 

# FNTM Drum Gauge



## FNTM 55 Gallon Drum Gauge

- Waterproof self-contained housing to ensure contaminate-free monitoring.
- AA battery powered, provided.
- Touch gauge sides to activate LEDs
- Displays drum levels from 90% to 5%.
- Alerts when the drum level is below 5%
- Low battery alert
- Audible low battery indicator chirp.
- PVC and ABS Plastics Construction.
- FNTM is designed to be used in standard metal 55 gallon drums.
- Fits in 3/4" NPT vent opening.
- Simple installation.
- Easy battery replacement.
- Audible alert.
- Less expensive than comparable monitors
- 2 plus year battery life

## New 55 Gallon Drum Alert

MODEL NO.	DESCRIPTION	SHIPPING WEIGHT LBS (KG)
010807	FNTM 55 Gallon Drum Gauge	1.0 (0.45)



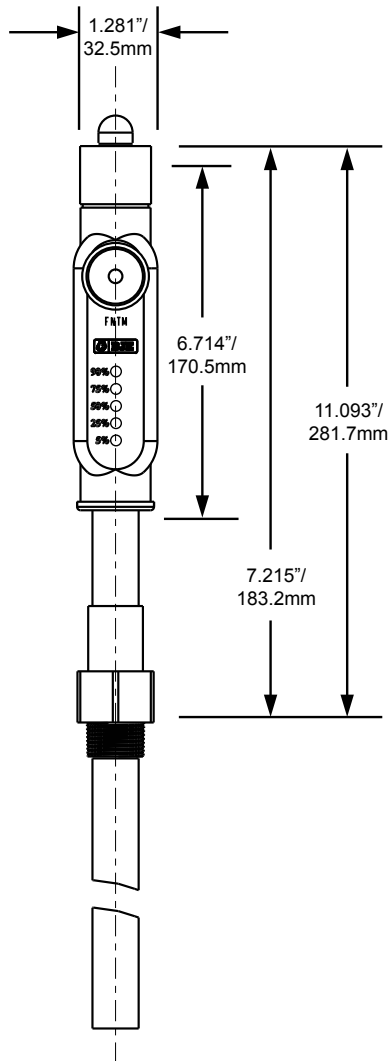
 **WARNING:** Cancer and Reproductive Harm—[www.P65Warnings.ca.gov](http://www.P65Warnings.ca.gov)



# FNTM Drum Gauge

FNTM 55 Gallon Drum Gauge

## Dimensions



2325 Husky Way • Pacific, MO 63069  
 (800) 325-3558 • Fax (636) 825-7300  
[www.husky.com](http://www.husky.com) • [sales@husky.com](mailto:sales@husky.com)

MADE IN THE U.S.A. 

# Kaltec Commander Tank Controller



**Tank Controller for use with oil, waste oil, diesel fuel, antifreeze, water and other fluids with a high flash point.**

- Self-regulating fluid transfer system.
- Provides automatic re-filling of monitored tank.
- Prevents costly tank overfills.
- Built in overfill monitoring-103 decibel alarm siren and flashing LED.
- Push to fill button provides instant topping off of monitored tank.
- Engineered for most single or double wall tanks with 2" NPT bung opening.
- Designed for tank depths between 24"-78" (610 mm-1981 mm).
- Requires one air powered diaphragm pump not included.
- System shuts off air to diaphragm pump and oil flow to day tank when high level sensor is tripped.
- System includes: Tank mounted controller, air solenoid valve, fluid control valve, 115 volt ac adaptor, 25 ft of cabling.
- Tank depth and riser height information required at time of order.
- New swivel allows easy orientation of gauge after installation.

## Monitors and Alarms

MODEL NO.	DESCRIPTION	SHIPPING WEIGHT LBS (KG)
010613	Kaltec Commander Tank Controller	14 (6.4)



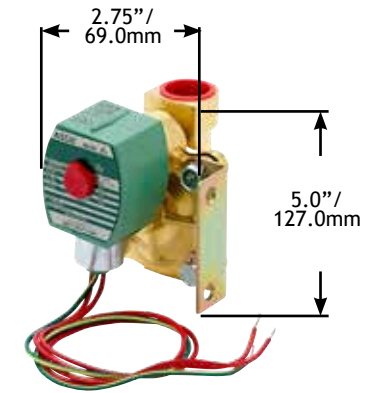
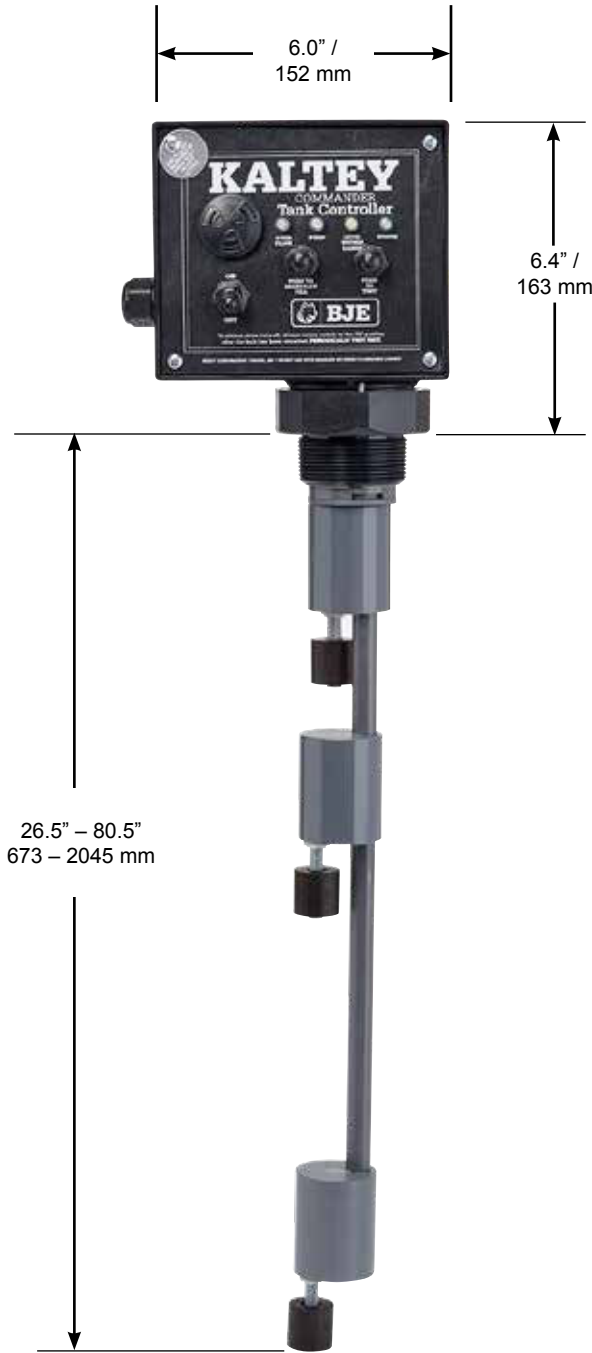
**WARNING:** Cancer and Reproductive Harm—[www.P65Warnings.ca.gov](http://www.P65Warnings.ca.gov)



# Kalтей Commander Tank Controller

Tank Controller for use with oil, waste oil, diesel fuel, antifreeze, water and other fluids with a high flash point.

## Dimensions



2325 Husky Way • Pacific, MO 63069  
 (800) 325-3558 • Fax (636) 825-7300  
[www.husky.com](http://www.husky.com) • [sales@husky.com](mailto:sales@husky.com)

MADE IN THE U.S.A.

# Kaltey Commander Tank Controller Wall Mount



**Tank Controller for use with oil, waste oil, diesel fuel, antifreeze, water and other fluids with a high flash point.**

- Self-regulating fluid transfer system.
- Provides automatic re-filling of monitored tank.
- Prevents costly tank overfills.
- Built in overfill monitoring-103 decibel alarm siren and flashing LED.
- Push to fill button provides instant topping off of monitored tank.
- Engineered for most single or double wall tanks with 2" NPT bung opening.
- Designed for tank depths between 24"-78" (610 mm-1981 mm).
- Requires one air powered diaphragm pump not included.
- System shuts off air to diaphragm pump and oil flow to day tank when high level sensor is tripped.
- System includes: wall mounted controller, air solenoid valve, fluid control valve, 115 volt ac adaptor, 25 ft of cabling.
- Tank depth and riser height information required at time of order.

### Monitors and Alarms

MODEL NO.	DESCRIPTION	SHIPPING WEIGHT LBS (KG)
010614	Kaltey Commander Wall Mount Tank Controller	14 (6.4)



**WARNING:** Cancer and Reproductive Harm—[www.P65Warnings.ca.gov](http://www.P65Warnings.ca.gov)





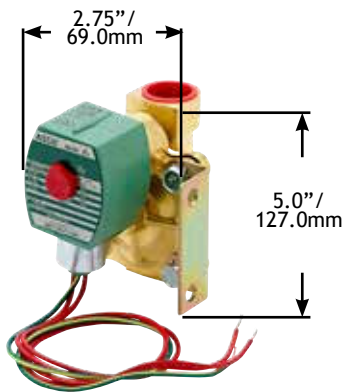
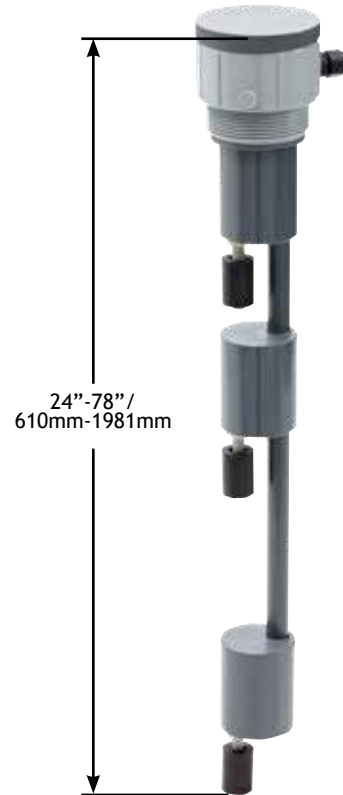
# Kaltey Commander Tank Controller Wall Mount

Tank Controller for use with oil, waste oil, diesel fuel, antifreeze, water and other fluids with a high flash point.

## Dimensions and System Options

### Accessories

MODEL NO.	DESCRIPTION
013752	Kaltey Commander Wall Mount Tank Controller Remote Sensor



2325 Husky Way • Pacific, MO 63069  
 (800) 325-3558 • Fax (636) 825-7300  
[www.husky.com](http://www.husky.com) • [sales@husky.com](mailto:sales@husky.com)

MADE IN THE U.S.A.

# MK6 Tank Alarm




**High/Low Tank Alarm for use with oil, waste oil, diesel fuel, antifreeze, water and other fluids with a high flash point.**

- Monitor up to 6 tanks independently.
  - Tank probes sold separately
  - Avoid costly overflows or untimely shortages.
  - Supervised system.
  - Low voltage.
  - Strobe and siren.
  - 6 independent LED displays
- to indicate which circuit is in alarm.
  - Easy installation.
  - Maximum milliamp load is 750 mA.
  - Capable of driving a solenoid valve for each tank monitored.

## New Gauges and Alarms

MODEL NO.	DESCRIPTION	SHIPPING WEIGHT LBS (KG)
014509	MK6 Audible and Visual Tank Gauge (includes indoor mount control panel, and 12 volt transformer)	4.0 (1.8)



 WARNING: Cancer and Reproductive Harm - [www.P65Warnings.ca.gov](http://www.P65Warnings.ca.gov)



# MK6 Tank Alarm

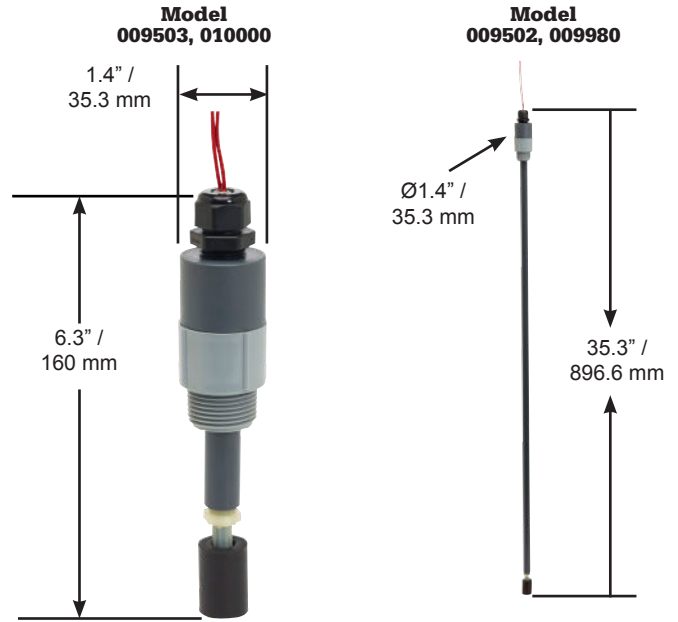
High/Low Tank Alarm for use with oil, waste oil, diesel fuel, antifreeze, water and other fluids with a high flash point.

## Dimensions and System Options

### Accessories

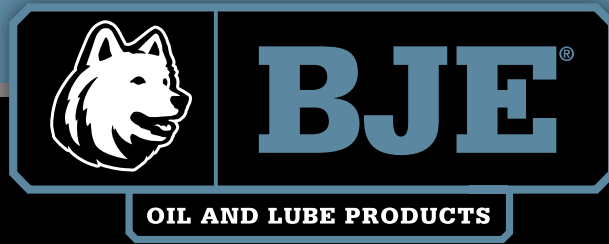
MODEL NO.	DESCRIPTION
007595	12 volt Transformer
007660	Remote Tank Sensor
007936*	Remote Jarhead Tank Sensor with 2" tank fitting
008206*	Remote Jarhead Tank Sensor with 1-1/2" tank fitting
007655	Remote Leak Guard Tank Sensor with 2" tank fitting
007656	Remote Leak Guard Tank Sensor with 1-1/2" tank fitting
007742	Remote Overfill Guard Tank Sensor with 2" tank fitting
007743	Remote Overfill Guard Tank Sensor with 1-1/2" tank fitting
007695	Strobe Light
007690	Siren - 107 Decibels
007645	Heavy Duty Power Relay - 30 amp or 1-1/2" HP at 120 or 240 vac
009503	Remote 55 Gallon Drum High Level Sensor
009980	Remote 55 Gallon Drum Low Level Sealed Sensor
010000	Remote 55 Gallon Drum High Level Sealed Sensor

\*Specify tank depth (in inches) and riser height (in inches).



2325 Husky Way • Pacific, MO 63069  
 (800) 325-3558 • Fax (636) 825-7300  
[www.husky.com](http://www.husky.com) • [sales@husky.com](mailto:sales@husky.com)

MADE IN THE U.S.A.



# Gauge Accessories

# AD 110 Drain Valve



## Automatic Drain Valve.

- Automatically drains moisture from air compressor tanks, dryers, after coolers, etc.
- Delivers drier air extending life of tools and pneumatic equipment.
- Eliminates manual draining - fully automatic - no maintenance.
- 230 PSI maximum pressure.
- ¼" NPT ports.
- 6 ft. power cord.
- 115 VAC power.
- Adjustable cycle time from 1 - 45 minutes.
- Adjustable discharge time from .25 - 25 seconds.
- Manual test switch.

## New Valves

MODEL NO.	DESCRIPTION	SHIPPING WEIGHT LBS (KG)
007585	AD110 Electronic Drain Valve	1.0 (0.4)

## Optional ¼" Y Strainer

Recommended for optimal performance, i.e. scaling, where air compressor rust can occur. Brass, includes screen.

007730	AD Y Strainer	1.0 (0.4)
--------	---------------	-----------



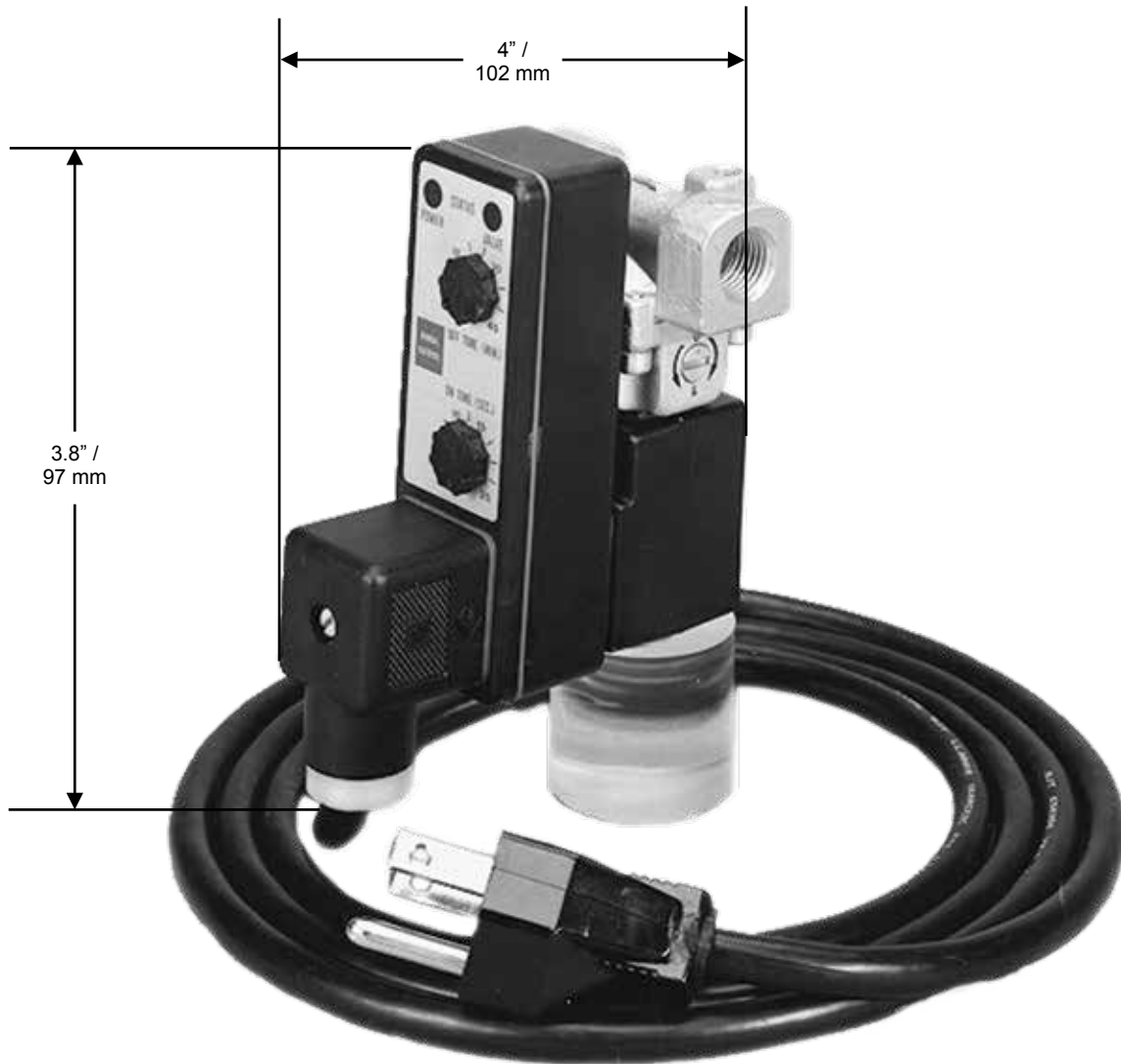
 **WARNING:** Cancer and Reproductive Harm—[www.P65Warnings.ca.gov](http://www.P65Warnings.ca.gov)



# AD 110 Drain Valve

Automatic Drain Valve.

## Dimensions



2325 Husky Way • Pacific, MO 63069  
(800) 325-3558 • Fax (636) 825-7300  
[www.husky.com](http://www.husky.com) • [sales@husky.com](mailto:sales@husky.com)

MADE IN THE U.S.A. 

# Solenoid Valve System



**Keyed Remote Solenoid Valve System controls air supply to equipment with the turn of a key up to 2000 feet away. Helps assure air compressors or oil pumps are idled when unattended.**

- Stop unauthorized use of pneumatic equipment.
- Red LED indicates valve is on/open.
- Prevent pilferage of bulk oil/ product inventory.
- 12 volt DC, 1/2" NPT ports, 200 PSI max.
- Low voltage.
- Easy installation.

### New Valves

MODEL NO.	DESCRIPTION	SHIPPING WEIGHT LBS (KG)
007630	Keyed Remote Air Solenoid Valve System Control	4.0 (1.8)



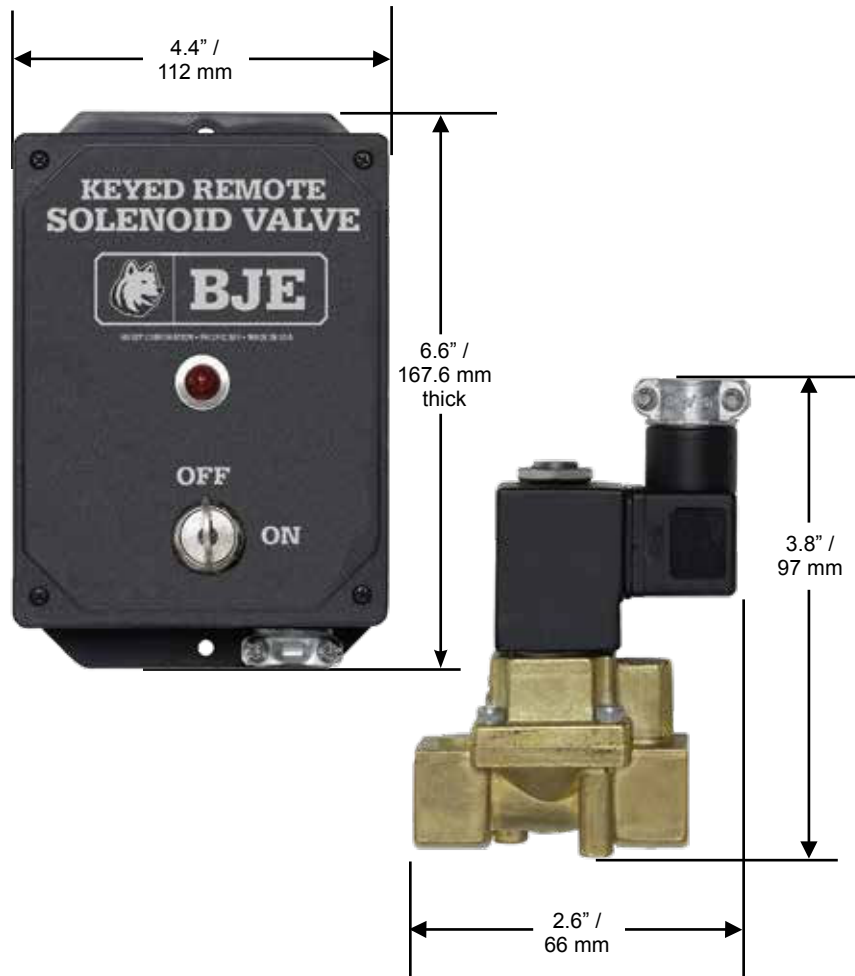
WARNING: Cancer and Reproductive Harm—[www.P65Warnings.ca.gov](http://www.P65Warnings.ca.gov)



# Solenoid Valve System

Keyed Remote Solenoid Valve System controls air supply to equipment with the turn of a key up to 2000 feet away. Helps assure air compressors or oil pumps are idled when unattended.

## Dimensions



2325 Husky Way • Pacific, MO 63069  
 (800) 325-3558 • Fax (636) 825-7300  
[www.husky.com](http://www.husky.com) • [sales@husky.com](mailto:sales@husky.com)

MADE IN THE U.S.A. 



# Solenoid Valves



For use with the 007 tank monitor.

### 007 SV Solenoid Valve

- Low voltage solenoid valve.
- Shuts off air to pump when 007 is in alarm condition.
- Can be located up to 350' away from 007.
- Wall mount transformer included.
- 12V DC.
- 1/2" NPT Ports.
- 10-200 PSI.

### 007 SVT Solenoid Valve with Timer

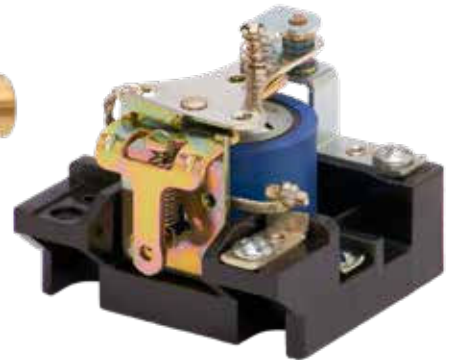
- Same as 007 SV with added timer.
- SAVE TIME AND MONEY!
- Shuts off pump, saving labor time and equipment failure due to unattended pump station.
- Simply turn knob to desired time (3-15 min.) and get back to the job.

### Heavy Duty 007 Power Relay

- SPDT [N/O or N/C] dry contacts for a variety of applications, i.e. drive electric pumps, turn lights on/off, etc.
- 30 amp or 1-1/2 hp at 120 or 240 VAC

### Specifying Information

MODEL NO.	DESCRIPTION	SHIPPING WEIGHT LBS (KG)
007645	Heavy Duty Power Relay for 007 Tank Gauge - 30 AMP or 1 1/2 HP at 120 or 240 VAC	1.0 (0.4)
007570	007 SVT Solenoid Valve with Timer - 12 Volt Electric (includes wall mount transformer)	5.0 (2.3)
007580	007 SV Solenoid Valve - 12 Volt Electric (includes wall mount transformer)	5.0 (2.3)



**WARNING:** Cancer and Reproductive Harm—www.P65Warnings.ca.gov



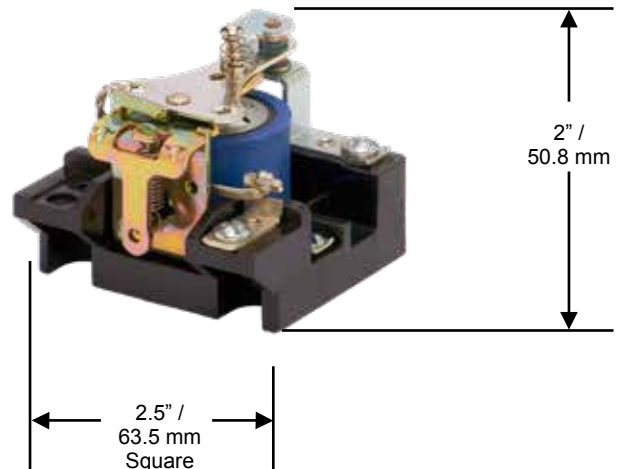
# Solenoid Valves

For use with the 007 tank monitor.

## Dimensions and System Options

### Accessories

MODEL NO.	DESCRIPTION
007595	12 Volt Transformer



2325 Husky Way • Pacific, MO 63069  
 (800) 325-3558 • Fax (636) 825-7300  
[www.husky.com](http://www.husky.com) • [sales@husky.com](mailto:sales@husky.com)

MADE IN THE U.S.A.

**For all tank gauges.**

**107-Decibel Siren**

- Ideal for remote locations.
- Low voltage.
- Can be located up to 350' away from 007 tank gauge with 18-gauge wire.

**Remote Tank Sensor**

- Designed for use with Sentry or 007 tank gauge.
- Ideal for 2nd sensor or interstitial space.
- 1/2" x 6" PVC tube can be replaced for monitoring low tank. Please specify 007 or Sentry.
- 2" and 1-1/2" NPT tank fittings available.

**Strobe Light**

- Low voltage.
- Ideal for remote locations.
- Can be located up to 350' away from 007 tank gauge with 18-gauge wire.

**UL Transformer**

- Self-resetting.

**007 Gauges Accessories**

MODEL NO.	DESCRIPTION	SHIPPING WEIGHT LBS (KG)
007695	Strobe Light for 007 Tank Gauge	0.4 (0.2)
007690	Siren for 007 Tank Gauge - 107 Decibels	0.1 (0.04)
007660	Remote Tank Sensor for 007 Tank Gauge	1.5 (0.7)
007936*	Remote Jarhead Tank Sensor for 007 Tank Gauge with 2" Tank Fitting	1.5 (0.7)
008206*	Remote Jarhead Tank Sensor for 007 Tank Gauge with 1 1/2" Tank Fitting	1.5 (0.7)
007655*	Remote Leak Guard Tank Sensor for 007 Tank Gauge with 2" Tank Fitting	2.0 (0.9)
007656*	Remote Leak Guard Tank Sensor for 007 Tank Gauge with 1 1/2" Tank Fitting	2.0 (0.9)
007742*	Remote Overfill Guard Tank Sensor for 007 Tank Gauge with 2" Tank Fitting	2.0 (0.9)
007743*	Remote Overfill Guard Tank Sensor for 007 Tank Gauge with 1 1/2" Tank Fitting	2.0 (0.9)
007595	12 Volt Transformer for 007 and Sentry Tank Gauges	1.5 (0.7)

**Sentry Gauge Accessories**

MODEL NO.	DESCRIPTION	SHIPPING WEIGHT LBS (KG)
007661	Remote Tank Sensor for Sentry Tank Gauge	1.5 (0.7)
007650*	Remote Jarhead Tank Sensor for Sentry Tank Gauge with 2" Tank Fitting	3.0 (1.4)
008211*	Remote Jarhead Tank Sensor for Sentry Tank Gauge with 1 1/2" Tank Fitting	3.0 (1.4)
007657*	Remote Leak Guard Tank Sensor for Sentry Tank Gauge with 2" Tank Fitting	2.0 (0.9)
007658*	Remote Leak Guard Tank Sensor for Sentry Tank Gauge with 1 1/2" Tank Fitting	2.0 (0.9)
007740*	Remote Overfill Guard Tank Sensor for Sentry Tank Gauge with 2" Tank Fitting	2.0 (0.9)
007741*	Remote Overfill Guard Tank Sensor for Sentry Tank Gauge with 1 1/2" Tank Fitting	2.0 (0.9)
007595	12 Volt Transformer for 007 and Sentry Tank Gauges	1.5 (0.7)

\*Specify tank depth (in inches) and \*\*riser height (in inches)



**WARNING:** Cancer and Reproductive Harm—www.P65Warnings.ca.gov



# Siren/Sensor/Strobe

For all tank gauges.

## Dimensions and System Options

### 007 Tank Gauges

MODEL NO.	DESCRIPTION
007575	007 Audible and Visual Tank Gauge (includes indoor mount control panel, remote tank sensor, 10' lead wire and 12 volt transformer)
007555*	007 Audible and Visual Tank Gauge with Jarhead Tank Gauge (includes indoor mount control panel, Jarhead Tank Gauge, and 12 volt transformer)
007560	007 Audible and Visual Tank Gauge with Leak Guard Tank Gauge (includes indoor mount control panel, Leak Guard Tank gauge, remote strobe, remote siren, and 12 volt transformer)
007565	007 Audible and Visual Tank Gauge with Overfill Tank Gauge (includes indoor mount control panel, Overfill tank gauge, remote strobe, remote siren, and 12 volt transformer)

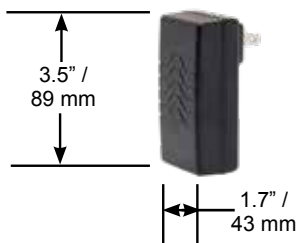
### Sentry Tank Gauges

MODEL NO.	DESCRIPTION
007670	Sentry High or Low Battery Operated Tank Gauge with Built-in 103 Decibel Siren
007671	Sentry high or Low Tank Gauge with Built-in 103 Decibel Siren and 12 Volt Transformer
007675	Sentry High or Low Wall Mounted Battery Operated Tank Gauge with Built-in 103 Decibel Siren and Leak Guard Tank Gauge
007676	Sentry High or Low Wall Mounted Battery Operated Tank Gauge with Built-in 103 Decibel Siren, Leak Guard Tank Gauge and 12 Volt Transformer
007680	Sentry High or Low Wall Mounted Battery Operated Tank Gauge with Built-in 103 Decibel Siren and Overfill Tank Gauge
007681	Sentry High or Low Wall Mounted Battery Operated Tank Gauge with Built-in 103 Decibel Siren, Overfill Tank Gauge, and 12 Volt Transformer
007725	Sentry High or Low Wall Mounted Battery Operated Tank Gauge with Built-in 103 Decibel Siren
007726	Sentry High or Low Wall Mounted Battery Operated Tank Gauge with Built-in 103 Decibel Siren and 12 Volt Transformer
007685*	Sentry High or Low Wall Mounted Battery Operated Tank Gauge with Built-in 103 Decibel Siren and Jarhead Tank Gauge
007686*	Sentry High or Low Wall Mounted Battery Operated Tank Gauge with Built-in 103 Decibel Siren, Jarhead Tank Gauge, and 12 Volt Transformer

\*Specify tank depth (in inches) and \*\*riser height (in inches)

### Accessories

MODEL NO.	DESCRIPTION
007829	Adaptor, 1-1/2" Jarhead
007865	Jar, Leak



2325 Husky Way • Pacific, MO 63069  
 (800) 325-3558 • Fax (636) 825-7300  
[www.husky.com](http://www.husky.com) • [sales@husky.com](mailto:sales@husky.com)

MADE IN THE U.S.A.

# TM3 Valve



**TM3 Air Shut-off Valve for use with oil, waste oil, diesel fuel, antifreeze, water and other fluids with a high flash point.**

- Fully pneumatic - no electronic parts.
- Avoid costly overflows or untimely inventory shortages.
- Ideal for tanks with baffles.
- Engineered for most single or double walled above ground storage tanks.
- Aluminum float is not affected by oils or most other chemicals.
- Shuts off air supply to pumps preventing tank overflows.
- Easy installation.
- Operating range 30-200 PSI.

### New Valves

MODEL NO.	DESCRIPTION	SHIPPING WEIGHT LBS (KG)
007700	TM3 Pneumatic Shut Off Valve	4.7 (2.1)



WARNING: Cancer and Reproductive Harm—[www.P65Warnings.ca.gov](http://www.P65Warnings.ca.gov)



TM3 Air Shut-off Valve for use with oil, waste oil, diesel fuel, antifreeze, water and other fluids with a high flash point.

## Dimensions and System Options

### Replacement Parts

MODEL NO.	DESCRIPTION
007553	TM3 Replacement Chain
011425	TM3 Replacement Float
007774	TM3 Weight



2325 Husky Way • Pacific, MO 63069  
 (800) 325-3558 • Fax (636) 825-7300  
[www.husky.com](http://www.husky.com) • [sales@husky.com](mailto:sales@husky.com)

MADE IN THE U.S.A.