

TC33 Series Tire Changers

HUNTER
Engineering Company

SITE REQUIREMENTS



TC 33 Shown

* Width at Max Side Shovel Opening

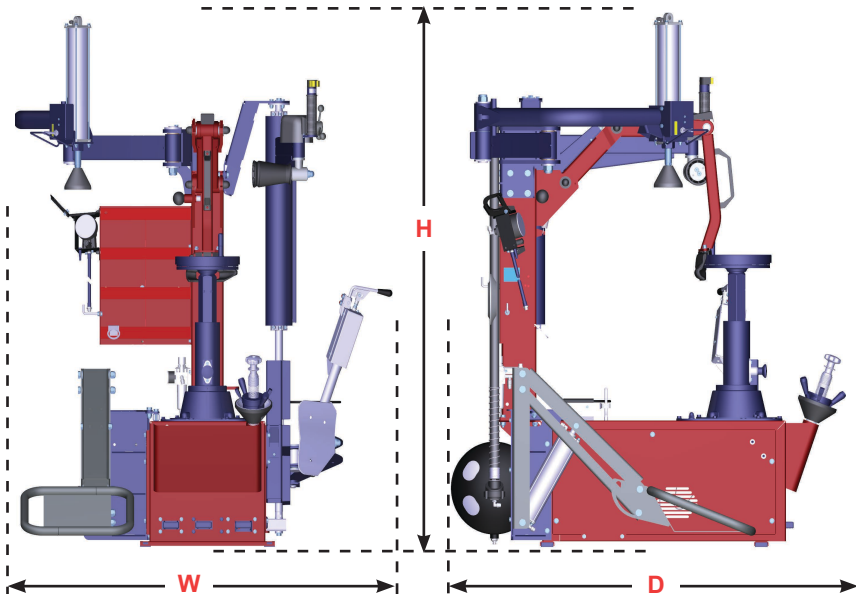
	TC33	TC33PL	TC33BP
Electrical Requirments	220V, 1ph, 6A, L6-20P	220V, 1ph, 6A, L6-20P	220V, 1ph, 6A, L6-20P
Air Pressure Range	115-175 psi	115-175 psi	115-175 psi
Clamping Diameter	10in - 26 in	10in - 26 in	10in - 26 in
Rotating Speed	0-14 RPM CW (variable) / 14 RPM CCW	0-14 RPM CW (variable) / 14 RPM CCW	0-14 RPM CW (variable) / 14 RPM CCW
MAX Tire Diameter	50 in	50 in	50 in
Max Bead Loosening Opening Width	17 in	17 in	17 in
Shovel Power	6,600 lbs @140 psi	6,600 lbs @140 psi	6,600 lbs @140 psi
Shipping Weight	510 lbs.	580 lbs.	580 lbs.
Width (W)	70 in *	70 in *	70 in *
Height (H)	68 in	68 in	68 in
Depth (D)	46 in	46 in	46 in

* NEMA L6-20P included

** Some Dimension, capacities, and specifications may vary depending on tire and wheel configurations. Larger size and reverse rim applicability case by case.

KEY SPECIFICATIONS

TC33 Series Tire Changers	Adjustable Work Height	Side Shovel	Bead Press Arm	Plus Roller Arm
TC33	✓	✓		
TC33PL	✓	✓		✓
TC33BP	✓	✓	✓	



Because of continuing technological advancements, specifications, models and options are subject to change without notice.

For tire changer information visit:
www.hunter.com/tire-changers

For local contact visit:
www.hunter.com/contact-hunter

For general inquiries visit:
www.hunter.com
or call
800-448-6848



TC 33PL Shown



TC 33BP Shown