

TC37 & TC39 SERIES

Center-Clamp Tire Changers

HUNTER
Engineering Company

SPECIFICATIONS []



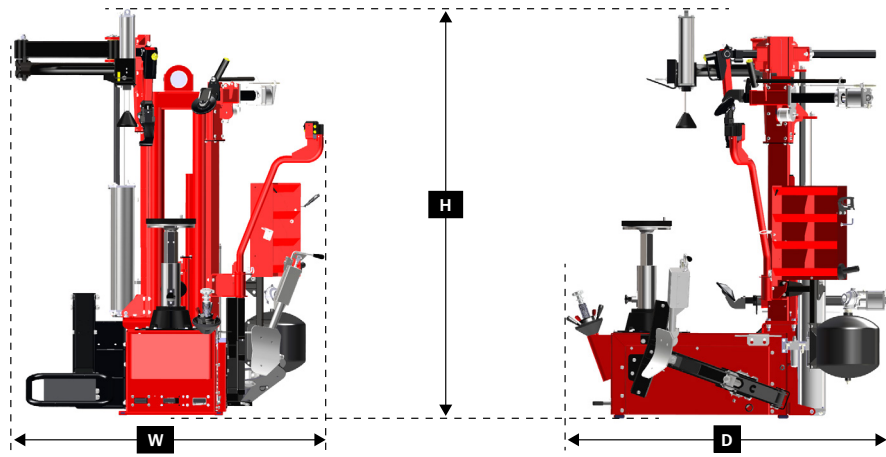
TC39



TC37

| | | |
|-----------------------------------|--|-----------------------------------|
| Electrical Circuit Requirements | 208-230V, 6A, 50/60Hz, 1 ph NEMA 20 amp plug, L6-20P | |
| Air Supply Requirements | 115 - 145 psi (8 - 10 bar) | |
| Approximate Air Consumption | 4 CFM (110 Liters/Minute) | |
| Usable Power Cord Length | ~110 in. (2794 mm) | |
| Clamping Type | Center w/ Quick Clamp and Cam Plate | |
| Adjustable Clamping Height | Yes, 3 positions | |
| Bead Loosening Type | Upper & Lower Rollers (Shovel Optional) | |
| Match Mounting Capable | Yes | |
| Rim Diameter Range | 10 in. - 26 in. (254 mm - 660 mm) | |
| Maximum Tire Diameter | 46 in. (1,168 mm) | |
| Maximum Wheel Width | 19 in. (381 mm) | |
| Drive Speed | Fully Variable, 0-14 RPM Clockwise Single Speed, 7 RPM Counterclockwise | |
| Drive Torque | 867 lb-ft (1175 Nm) | |
| Wheel Lift Capacity (if equipped) | 176 lbs (80 kg) | |
| Wheel Lift Weight | 62 lbs (28 kg) | |
| Side Shovel Weight | 92 lbs (42 kg) | |
| -- | TC39 Family | TC37 Family |
| Base Machine Weight | 770 lbs (349 kg) | 787 lbs (357 kg) |
| Mount / Demount Tool | Polymer Self-inserting leverless | Polymer Standard lever mount head |
| Height (H) | 77 in. (1,956 mm) | 72 in. (1,829 mm) |
| Width (W) | 55 in. (1397 mm)* | |
| Depth (D) | 58 in. (1473 mm) | |

* Add 14 in. (356 mm) for maximum side shovel opening (if equipped)



For tire changer information visit:
hunter.com/tire-changers

For local contact visit:
hunter.com/contact

For general inquiries visit:
www.hunter.com or call 800-448-6848

Because of continuing technological advancements, specifications, models and options are subject to change without notice.

Form 6378-T, 05-24
Supersedes Form 6378-T, 02-24
Copyright ©2024, Hunter Engineering Company