

TC33 SERIES

Center-Clamp Tire Changers

HUNTER
Engineering Company

SPECIFICATIONS []



TC33



TC33PL

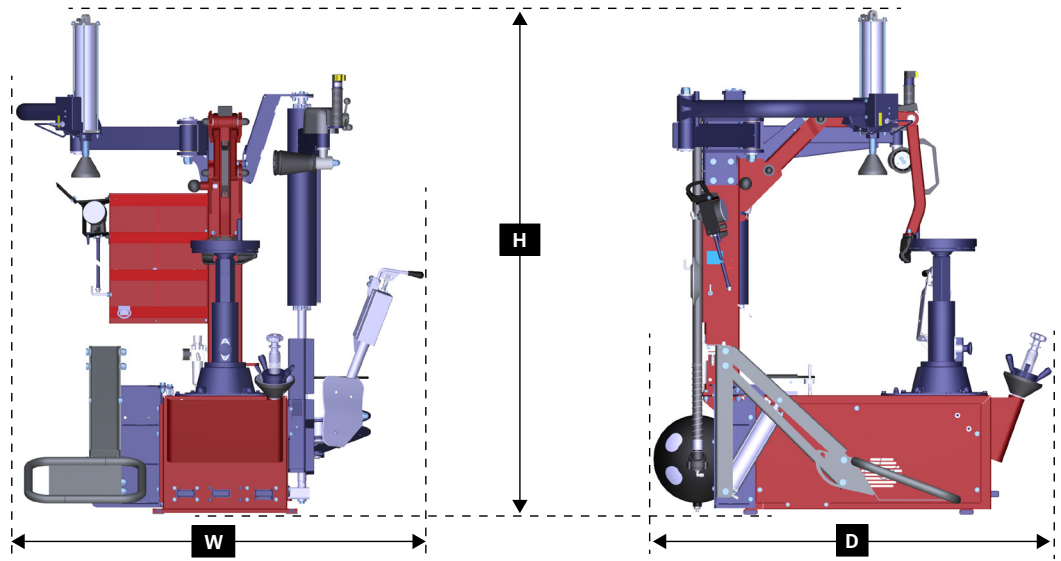


TC33BP

TC-	33	33PL	33BP
Electrical Requirements	220V, 1ph, 6A, L6-20P	220V, 1ph, 6A, L6-20P	220V, 1ph, 6A, L6-20P
Air Pressure Range	115 - 175 psi	115 - 175 psi	115 - 175 psi
Clamping Diameter	10 in - 26 in	10 in - 26 in	10 in - 26 in
Rotating Speed	0-14 RPM SW (variable) / 14 RPM CCW	0-14 RPM SW (variable) / 14 RPM CCW	0-14 RPM SW (variable) / 14 RPM CCW
Max Tire Diameter	50 in	50 in	50 in
Max Bead Loosening Opening Width	17 in	17 in	17 in
Shovel Power	6,600 lbs @140 psi	6,600 lbs @140 psi	6,600 lbs @140 psi
Shipping Weight	510 lbs	510 lbs	510 lbs
Width (W)	70 in *	70 in *	70 in *
Height (H)	68 in	68 in	68 in
Depth (H)	46 in	46 in	46 in
Adjustable Work Height	✓	✓	✓
Side Shovel	✓	✓	✓
Bead Press Arm			✓
Plus Roller Arm		✓	

* Width at Max Side Shovel Opening
* NEMA L6-20P included

** Some Dimension, capacities, and specifications may vary depending on tire and wheel configuration. Larger size and reverse rim applicability case by case.



For tire changer information visit:
hunter.com/tire-changers

For local contact visit:
hunter.com/contact

For general inquiries visit:
www.hunter.com or call 800-448-6848

Because of continuing technological advancements, specifications, models and options are subject to change without notice.

Form CS08014-00, 05-24
Supersedes Form CS08014-00, 02-23
Copyright ©2024, Hunter Engineering Company