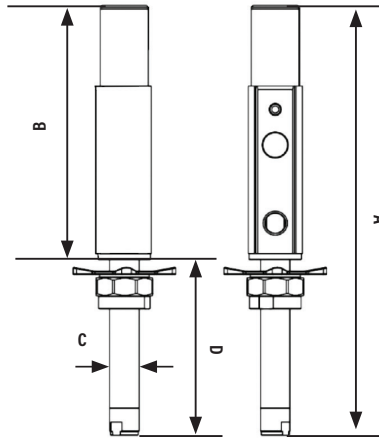


Oil Piston Pumps LYNX® 3:1 Pump

The LYNX® 3:1 ratio double acting pump is engineered for outstanding performance and reliability to dispense lubricating oils and similar products.

1



DIMENSIONS INCHES (MM)			
1110-007			
A	B	C	D
19 9/16" (497 mm)	11 1/4" (286 mm)	1 11/32" (34 mm)	8 5/16" (211 mm)

TECHNICAL DATA	
Operating air pressure	45 -150 psi (3 -10 bar)
Cycles per gallon	98 cyc/gal (26.5 cyc/liter)
Air consumption 100 psi (7 bar) & 3 gal/min (11 l/min)	18.80 scfm
Max Fluid stall pressure @ 150 psi (10 bar) ⁽¹⁾	725 psi (50 bar)
Effective Air Piston Diameter	1.375" (35 mm)
Free flow pump delivery with SAE 10W30 oil, 68 °F (20 °C), 150 psi (10 bar) air pressure	6.6 gal/min (25 l/min)
Air inlet	1/4" NPT(F)
Fluid inlet	3/4" NPT(F)
Fluid outlet	3/4" NPT(F)
Wetted materials	Buna-N™, Steel, Brass, Aluminum, and Polyurethane
Service Bulletin	SB 1101

NOTE: Thermal expansion of the fluid in a distribution system can cause an increase in system pressure that can damage lubrication system components. Use pressure relief valve kit 3120-086 for this pump.

(1) Ensure that all hose fittings and piping are rated for fluid outlet pressures. Balcrank recommends a minimum of 3 x safety factor.

Warning! Do not use any LYNX® series products with flammable fluids.

Verify fluid compatibility with MSDS sheets.

Contact Balcrank for specific system design performance and technical data.

Fluids & Applications

The LYNX® series pump is perfect for small volume users, for synthetics, and standard mineral oils. The 3:1 version is best for small tank packages, roll-around units for synthetic and mineral base drum applications.

Fluids

- Synthetic and mineral based lubricants
- Hydraulic fluid
- Transmission fluid

Applications

- Oil bar supply (pumping short distance)
- Roll-around synthetic or mineral oil packages
- Low volume dispensing in agricultural, in-plant, and maintenance shop applications

Pressure relief valve kit 3120-086 for this pump, not included.

MODELS AVAILABLE	DESCRIPTION
1110-007	3:1 Bare carbon steel stub pump with bung adapter
3120-086	Kit, Pressure Relief, 3/4", 850 psi (59 bar)

