

AUTOCOMP ELITE®

On-Car Brake Lathe

HUNTER
Engineering Company

SPECIFICATIONS []

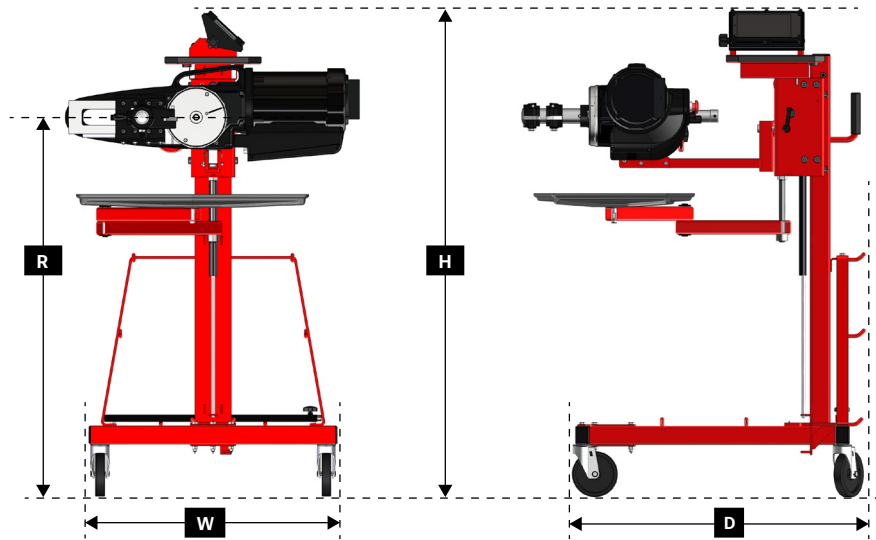


ACE22

Power Requirements	115V, 15 Amp, 60 Hz, 1 ph NEMA 5-15P plug (220V, 50-60Hz optional)	
Rotor Max Diameter	16.40 in. (417 mm)	17.50 in. (445 mm) *
Rotor Max Thickness	1.75 in. (44 mm)	2.75 in. (70 mm) *
Rotor Max Friction Face	3.63 in. (92 mm)	3.69 in. (94 mm) *
Feed Distance	5.84 in. (148 mm)	
Max Runout Compensation	.020 in. (.5 mm)	
Spindle Speed	Adjustable & Auto Variable (ACT), 0 - 150 rpm reversible	
Motor	1.5 hp (1.12 kw) @3450 rpm	
Optional Tablet	7 in. display with Android® OS	
Spindle Height, High Range (R)	24.5 - 40.5 in. (622 - 1029 mm)	
Spindle Height, Low Range (R)	20.25 - 36.25 in. (514 - 921 mm) **	
Width (W)	27 in. (686 mm)	
Height (H)	47 in. (1194 mm)	
Depth (D)	34 in. (864 mm)	

* With optional Extended Twin Cutter Tool Assembly (20-1853-1)

** With Lift strut in lower position



ACE-	00	01	02	03	10	11	12	13	20	21	22	23
Tablet Interface					✓	✓	✓	✓	✓	✓	✓	✓
Digi-Cal									✓	✓	✓	✓
Passenger Adaptors		✓		✓		✓		✓		✓		✓
Pro Adaptors			✓				✓				✓	
Adjustable Adaptors				✓				✓				✓
Shipping Weight	203 lb 92 kg	213 lb 97 kg	283 lb 128 kg	293 lb 133 kg	208 lb 94 kg	218 lb 99 kg	288 lb 131 kg	293 lb 133 kg	213 lb 97 kg	223 lb 101 kg	293 lb 133 kg	298 lb 135 kg

For balancer information visit:
hunter.com/brake-lathes

For local contact visit:
hunter.com/contact

For general inquiries visit:
www.hunter.com or call 800-448-6848

Because of continuing technological advancements, specifications, models and options are subject to change without notice.

Form LS07244-00, 06-24
Supersedes Form LS07244-00, 07-20
Copyright ©2024, Hunter Engineering Company