

TCX53 PRO

Hybrid leverless tabletop tire changer



The best combination of features



Fast and easy hybrid
leverless tool head



10-28 inch
rim diameters



Heavyweight
chassis



PowerOut™
bead breaker



Great features combined for

PREMIUM PRODUCTIVITY

The TCX53PRO combines our premium hybrid leverless head with the familiar format of a swing arm tabletop tire changer.

EXCLUSIVE

Fast and easy hybrid leverless tool head

- ✓ Extended travel improves demount range and performance
- ✓ Unique tilting lip
 - › Keeps bead in position during demount
 - › Rounded profile reduces tire damage risk
- ✓ Polymer winged head
 - › Doesn't require protective inserts
 - › Reduces wheel and tire damage risk
 - › Wing feature keeps beads in position during mount
- ✓ Ergonomic controls reduce operator fatigue



Easy-to-operate controls

- ✓ Fully variable speed and travel control
- ✓ Familiar mount head design
- ✓ Familiar mounting techniques



EXCLUSIVE

Locking lower arm



Demount heavy, stiff, or wide tires easily with locking lower disc.

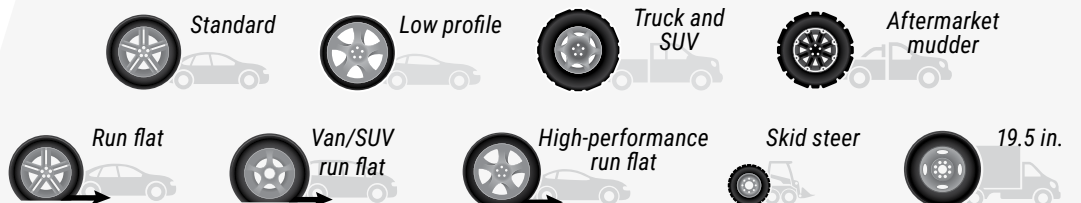


Upper roller can lock or freewheel, offering assistance in every situation.



Advanced Tires

Easily change advanced tire and wheel assemblies such as performance OE cars, trucks, and SUVs.



Provide ultimate wheel and tire protection with

EFFICIENT AND POWERFUL FEATURES

With its hybrid leverless head, lower locking disc and dual upper press rollers, the TCX53PRO is equipped to handle everything from 19.5s to advanced EV fitments.

A Bead press system

- ✓ Excellent power and control
- ✓ Aids mounting and demounting
- ✓ Auto-centering simplifies operation

The lower locking arm assists demounting heavy, stiff, or wide tires



Press roller assists with hook insertion on extreme tires



B Easy-to-use, adjustable tabletop

- ✓ Built-in adjustment system provides 10- to 28-in. clamping range (6-30 in. with optional adaptors)
- ✓ All jaws adjust simultaneously for mistake-free clamping
- ✓ Twin-cylinder actuators exert more clamping force than single-cylinder designs
- ✓ Hi-grip jaw covers increase torque transfer and protect wheels
- ✓ Diameter marks aid external clamping



C Ergonomic controls

- ✓ Fully variable speed and travel control
- ✓ Easy-to-operate

D Hybrid leverless head

- ✓ Extended travel improves demount range and performance
- ✓ Polymer winged head reduces wheel and tire damage risk
- ✓ Unique tilting lip



OPTIONAL

HunterNet® 2 connectivity kit

- ✓ Access tire change results
- ✓ Monitor your equipment ROI and track revenue
- ✓ View your performance and receive daily reports
- ✓ Installs to the back side of machine

E Powerful motor and drive

- ✓ Two speeds forward (7 and 17 rpm) for efficiency or finesse
- ✓ Single speed in reverse (7 rpm)
- ✓ 220V high-torque motor delivers ample power for difficult conditions



F PowerOut™ bead loosener

- ✓ Side shovel has fingertip control to ease service of large assemblies
- ✓ Smoothly pulls out stuck beads, saves time in positioning
- ✓ Three-way adjustable shovel angle
- ✓ Most powerful in the industry



Choose the tire changer that reflects your shop

BEST IN CLASS, TRUSTED DURABILITY

Hunter's TCX53Pro tabletop tire changer is heavier, more rigid, faster, and more powerful than other tire changers in the same class.



INDUSTRY LEADER IN POWER AND SPEED

Up to 50% higher torque and faster tabletop speed

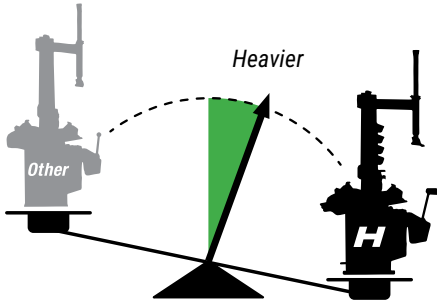


DURABLE FOR THE TOUGHEST TIRE WORK

Heavyweight, rigid chassis – less movement when changing tires

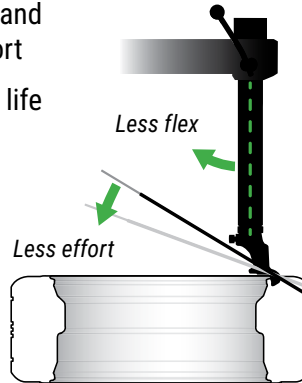
Best in class

- ✓ Heavyweight for less movement when changing tires
- ✓ Non-slip pads keep machine in place



Rigid Design

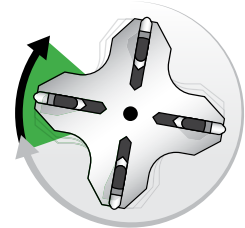
- ✓ Rigid chassis reduces damage risk and operator effort
- ✓ Long service life



Class-Leading Power

- ✓ Up to 50% higher torque
- ✓ Faster tabletop speed

More torque and speed



Servicing motorcycle tires

Quickly and efficiently change motorcycle tires using Hunter's wheel adaptor for TCX50-series tire changers (RP11-2201113).

- ✓ Raise clamping jaws to clear belt drive pulley and brakes used on motorcycles, including Harley-Davidson.
- ✓ Adaptors are plastic-covered to prevent wheel damage.
- ✓ Jaw extenders allow easy clamping of motorcycle wheels.



DYNAMIC BEAD PRESS

Hunter's bead press system speeds and eases clamping, lubricating, demounting, and mounting of the toughest wheel and tire combinations. The exclusive patented system centers to the wheel to ensure maximum service strength and rigidity.

CLAMPING: Assistance when needed



Wheel press cones and extension arm simplify external clamping when servicing low-profile tires.

DEMOUNTING: Integrated tools ease labor



Roller discs assist bead lubrication and ease demounting.



Bottom roller disc can be used for bottom bead re loosening, demounting.



MOUNTING: Difficult processes made easy



Press pivot locks on wheel center for lower mounting stress.



A single bead press roller disc can quickly assist mounting and demounting stiff sidewall tires.



Fixed bead press arm provides additional contact to service the most extreme low-profile tires and deep drop-center wheels.

TCX53PRO SPECIFICATIONS

Power requirements	220V, 1 ph, NEMA plug type L6-20P
Air pressure operating range	110-145 psi (7.6-10 bar)
External wheel clamping range	10-26 in.
Internal wheel clamping range	12-28 in.
Wheel clamping range with optional adaptors	6-30 in.
Table rotation speed	Clockwise: 7 rpm and 17 rpm Counter-clockwise: 7 rpm
Tire diameter	46 in.
Rim width maximum	14 in.
Bead loosener width	16 in.
Shipping weight	925 lbs. (420 kg)
w/ wheel lift	1,011 lbs. (459 kg)
Max width	62 in. (1575 mm)
Max height	84 in. (2134 mm)
Max depth	52 in. (1321 mm)

(see CS07842-00 for detailed specifications)



Optional wheel lift (20-2045-1) eases servicing of large assemblies. Allows for careful handling of expensive wheels.



Ample power and speed for the most demanding technicians



This product is listed to UL201 Garage Equipment Standard by Intertek (ETL) Testing Laboratories.

Meets national electrical code requirements for electrically powered shop equipment.

Your local Hunter team is ready to help

- ✂ Receive same- or next-day service
- 📞 Get a free quote or on-site demo
- 📖 Register for ASE-accredited training courses
- 🗨 General information and questions



Contact your local team

hunter.com/contact



Because of continuing technological advances, specifications, models and options are subject to change without notice.

FastBlast and PowerOut are trademarks of Hunter Engineering Company.

HUNTER
Engineering Company

www.hunter.com